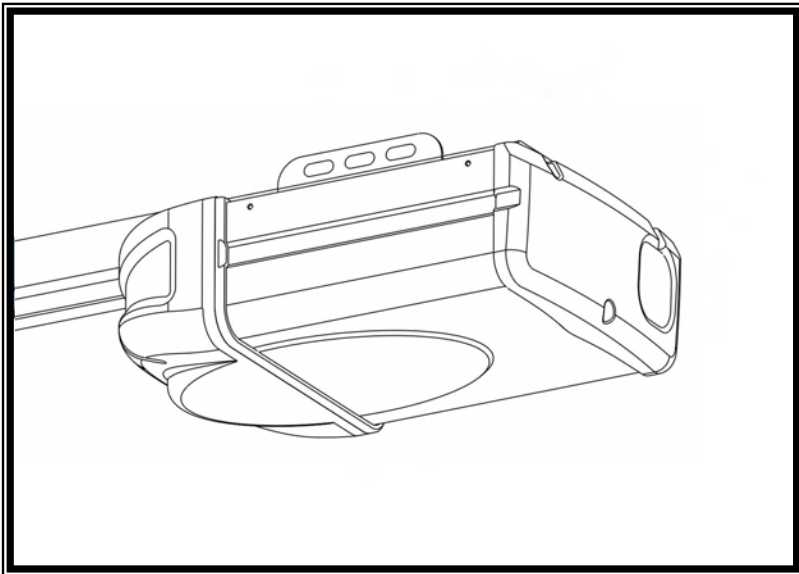


# **GARAGE DOOR operator**

**Models 9367 / 9367M**

**For Residential Use Only**



Before installation, write down the serial number and purchase date:  
(The model number is labeled on the plastic cover with light socket of your operator).

**Serial #** \_ \_ \_ \_ \_

**Purchase Date** \_ - \_ - \_

**Version No.:**MEN-005-C

# Owner's Manual

- Before installation, please read this manual and instructions carefully!
- The Photo eye system must be installed.
- Routine maintenance of the operator according to this manual to ensure safe operation.
- Please keep the manual in your sight near the garage door.

## TABLE OF CONTENTS

<b>Introduction</b> .....	<b>3-4</b>	<b>15. Aligning and adjusting the Photo Eye System</b> .....	<b>32</b>
<b>Operator contents and tool</b> .....	<b>5-13</b>	<b>Test and Adjustments</b> .....	<b>32</b>
<b>Installation steps</b> .....	<b>13-32</b>	<b>1.SYSTEM SETUP</b> .....	<b>33-34</b>
1. Adjust the chain or belt.....	<b>13</b>	<b>2.TEST THE REVERSING SAFETY SYSTEM</b> .....	<b>35</b>
2. Connect the rail to the operator.....	<b>14-15</b>	<b>3.FORCE SENSITIVITY ADJUSTMENT</b> .....	<b>36-37</b>
<b>3. Install The Header Bracket</b> .....	<b>15-16</b>	<b>4.TEST THE PHOTO EYE SAFETY SYSTEM</b> .....	<b>38-39</b>
4. Connect the Rail to the Header Bracket.....	<b>17</b>	<b>5.WALL CONTROL</b> .....	<b>40</b>
5. Attach the garage door operator to the ceiling.....	<b>17-19</b>	<b>6.PROGRAM THE REMOTE CONTROL</b> .....	<b>41</b>
6. Install the door bracket.....	<b>19-20</b>	<b>7.REMOTE CONTROL BATTERY REPLACEMENT AND VISOR CLIP INSTALLATION</b> .....	<b>41-42</b>
7. Attach the door arm.....	<b>20-22</b>	<b>8.DELETE THE MEMORY</b> .....	<b>43</b>
8. Install light bulb.....	<b>22</b>	<b>9.USE EMERGENCY RELEASE TO OPEN GARAGE DOOR MANUALLY</b> .....	<b>43-44</b>
9. Install the Emergency Release Cord and Knob.....	<b>23</b>	<b>Maintenance schedule</b> .....	<b>44</b>
10. Install The Wall Control.....	<b>24-25</b>	<b>Operator Parts</b> .....	<b>45-46</b>
11. Connect the wall control to the garage door operator.....	<b>25-26</b>	<b>Troubleshooting</b> .....	<b>47-48</b>
12. Attach the warning labels.....	<b>26</b>	<b>Limited Warranty</b> .....	<b>49</b>
13. Install The Photo Eye System.....	<b>27-29</b>		
14. Connect the operator to power.....	<b>30-31</b>		

# INTRODUCTION

## Safety Symbols

This garage door operator has been tested and manufactured to provide safe service . Please install, handle, maintain, and check in strict compliance with the instructions and warnings used in this owner's manual.

The following Safety Symbols used in this manual will warn you the possibility of **serious injury or death** if you do not operate in accordance with the warnings attached. Read them carefully.



**Mechanical**



**Electrical**



## Before installation

- 1 Lift the door by hand, the door should stay rest when halfway up.
- 2 If the door does not open and close smoothly and with little resistance, contact a qualified garage door technician.
- 3 The garage door should open all the way up, or close all the way down. Otherwise, contact a qualified garage door technician.

# IMPORTANT INSTALLATION INSTRUCTIONS



## To prevent any possible **SERIOUS INJURY** or **DEATH**:

1. Read and follow all installation instructions.
2. Always call a professional qualified door technician to make repairs to garage door cables, spring assemblies, and other hardware before installing the operator. This operator only works with a properly balanced garage door.
3. Never try to adjust garage doors, springs, cables, pulleys, rollers, brackets or other door hardware, unless you are qualified to do so.
4. Make sure you have another access door besides garage door. If not, you must install an emergency release kit that can be operated outside.
5. Remove all ropes and remove or make inoperative all locks connected to the garage door before installing the operator.
6. Do not connect the operator to power source until instructed to do so.
7. Use this operator only with Sectional Door.
8. Contact the garage door manufacturer to see if additional reinforcement is needed to support the door before installation of the operator.
9. If possible, install the operator 7 feet(2.1m) or more above the floor and the center of the door. Mount the emergency release knob 6 feet above the floor and avoid contact with any moving object.
10. Install the wall control:(a)within sight of the door,(b)at a minimum height of 5 feet(1.5m) above the floor that small children cannot reach it.(c)away from all moving parts of the door.
11. Attach the warning label next to the wall control in a prominent location. Attach the hanging warning label to the emergency release knob.
12. After installing the operator, the door must reverse when it contacts a 3.8cm(or a 2x4 laid flat)on the floor.
13. Must disconnect operator from power source **BEFORE** performing any service or maintenance.

## CAUTION

This garage door operator is designed to operate only at 120V, 60 Hz to avoid malfunction and damage.

## Operator contents and tools: Models 9367 / 9367M



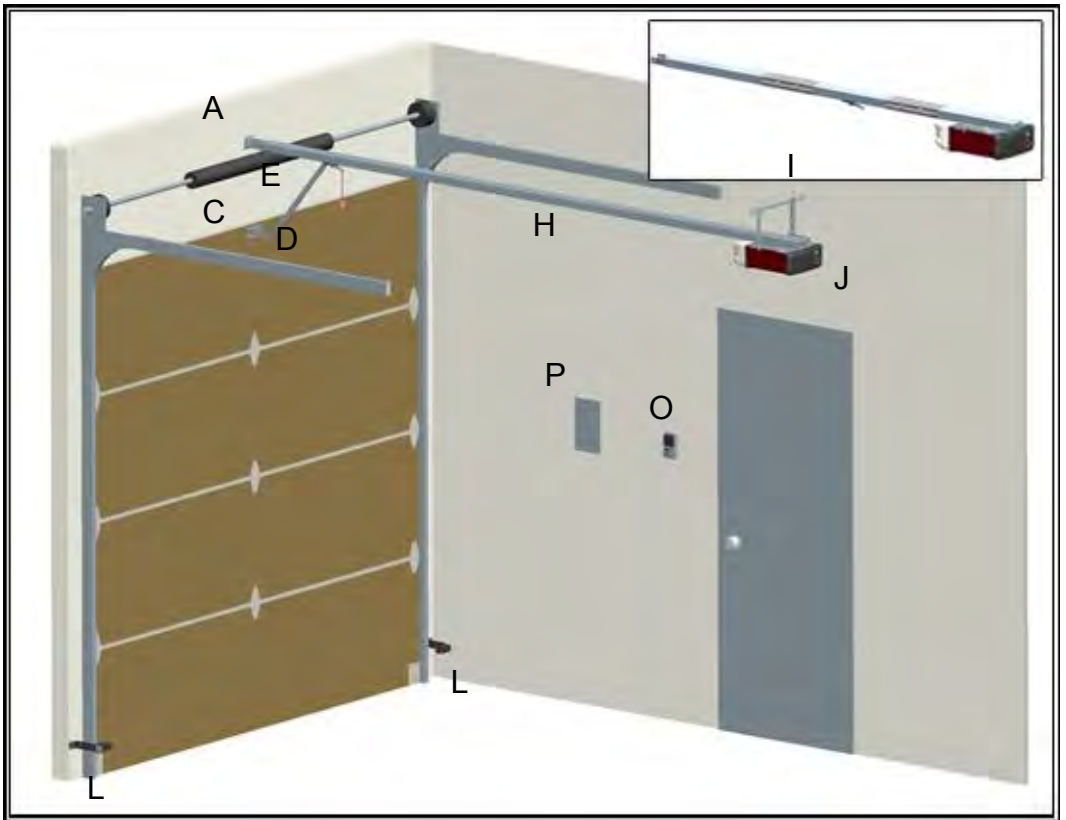
### Packing case

**#1:** Door opener, Installation Instructions

**#2:** Light Lens, Wall Control Panel

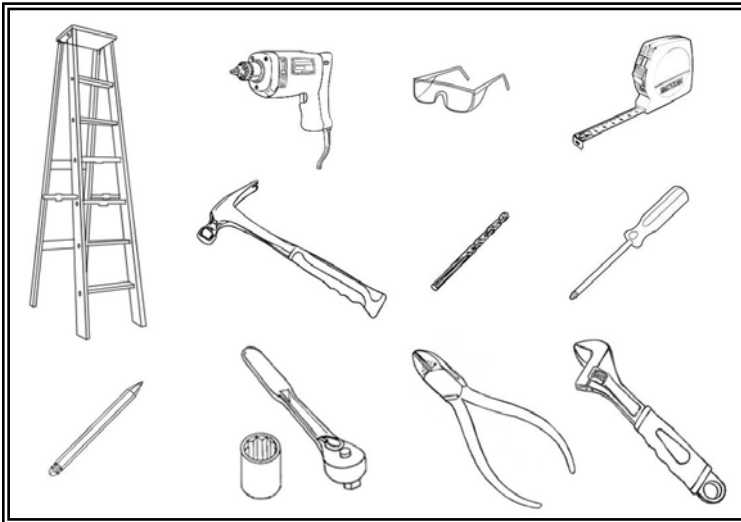
**#3:** Hardwares, Photo Eye Sensors, Three-key Remote Control

**Note:** Door arm sections are packaged at the bottom of the box.



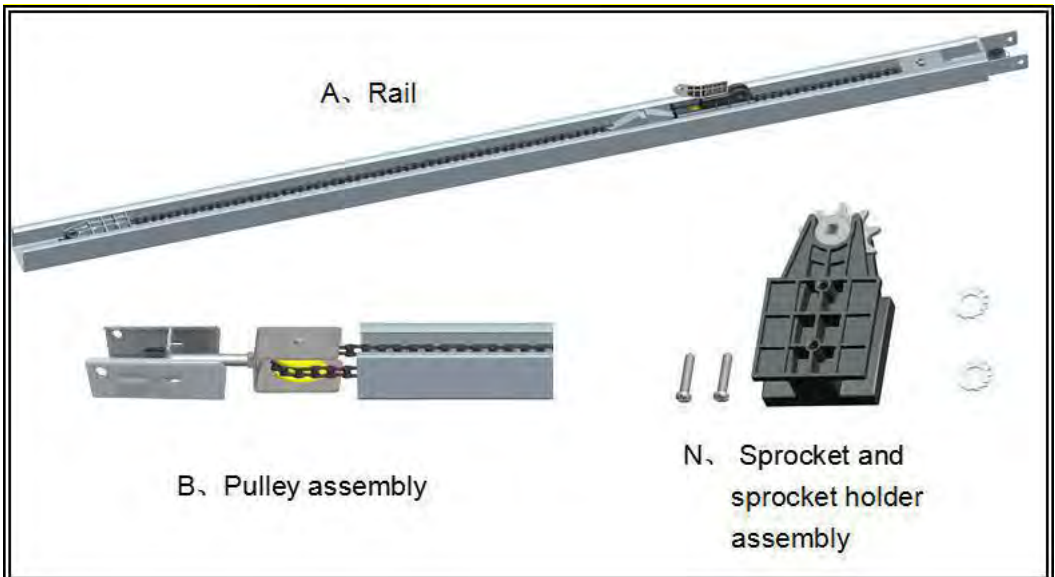
- |                                       |  |
|---------------------------------------|--|
| A、 Header bracket                     | J、 Garage door operator                  |
| B、 Pulley assembly                    | K、 “U” rail clips (2)                    |
| C、 Door bracket                       | L、 Photo eye sensors                     |
| D、 Curved door arm                    | M、 Chain/Belt                            |
| E、 Straight door arm                  | N、 Sprocket and sprocket holder assembly |
| F、 Trolley assembly                   | O、 Wall Control                          |
| G、 Emergency release rope and knob    | P、 Safety labels and literature          |
| H、 One-Piece Rail (Or Sectional Rail) | Q、 Rail connectors assembly              |
| I、 Hanging bracket                    |  |

The tools illustrated below may be used during installation and adjustment of your operator:

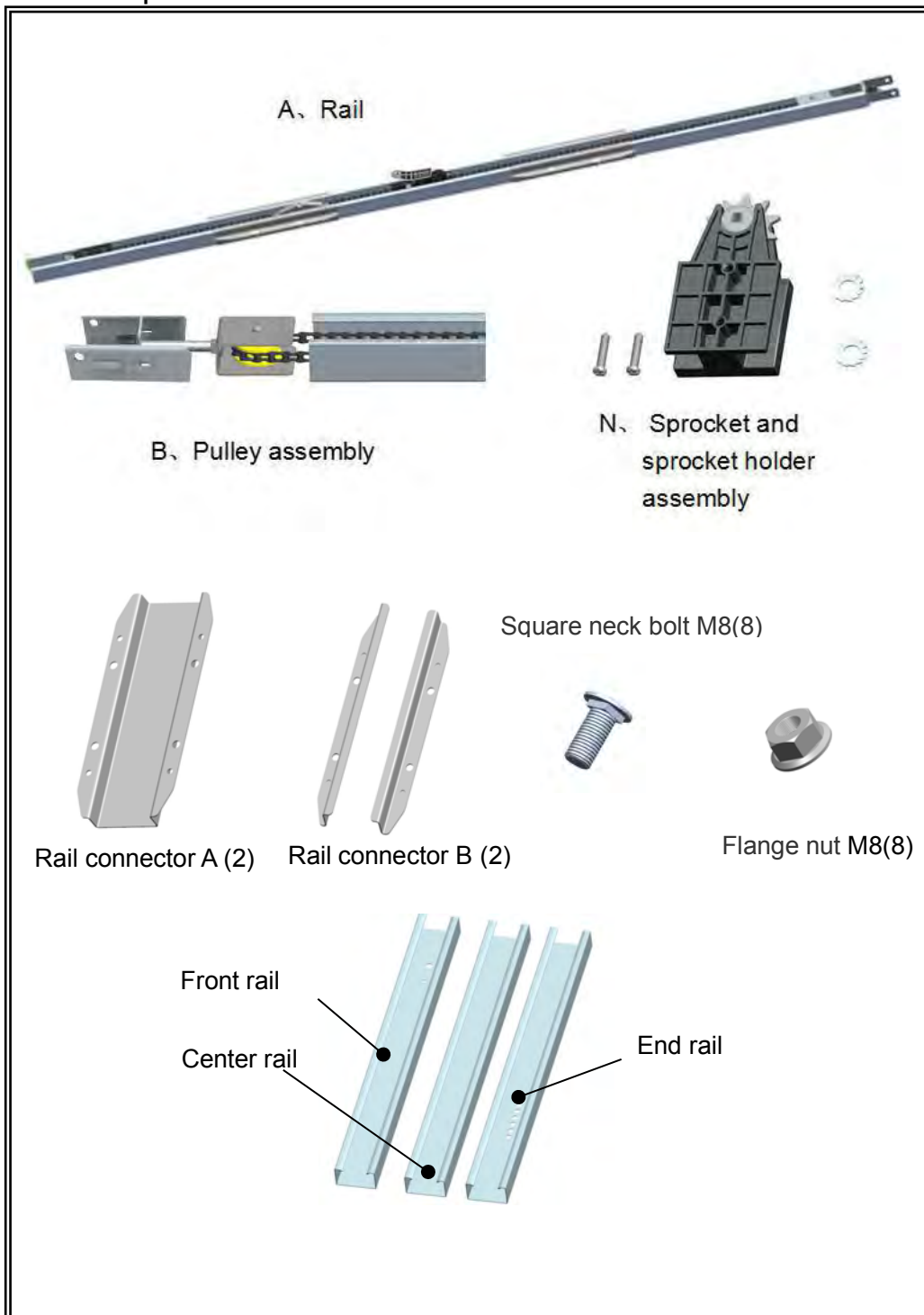


For future reference, the following parts should be pre-installed in the rail.

### One-piece Rail



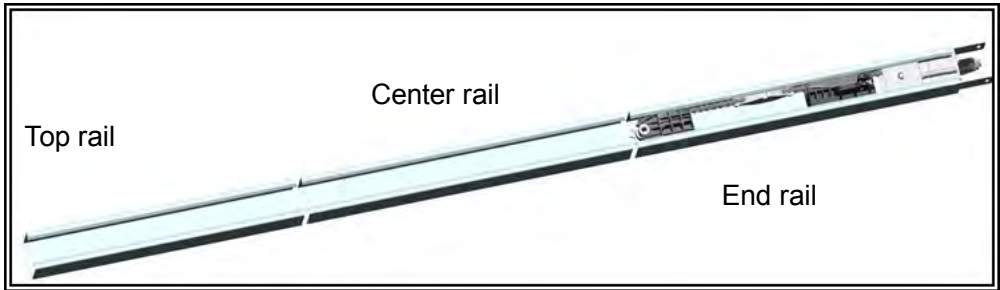
# Three-pieces Sectional Rail



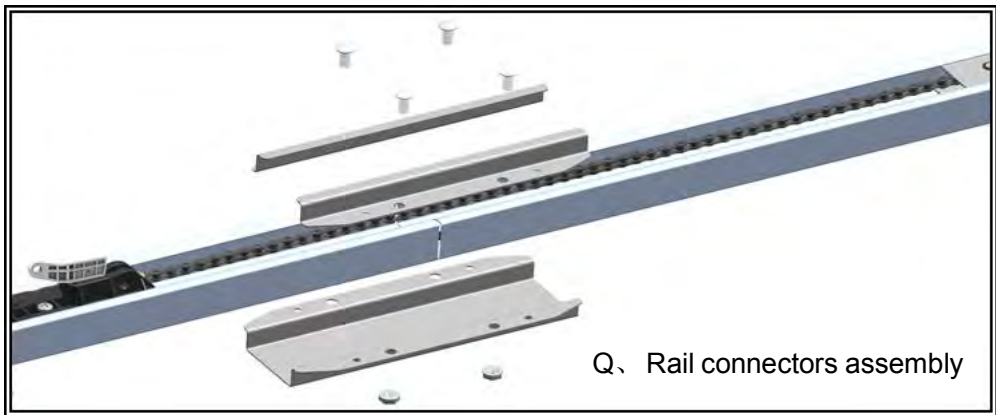


# Three-piece Sectional Rail Assembly

1、 Remove the three rail sections and place them on floor.



2、 Rail connectors installation.



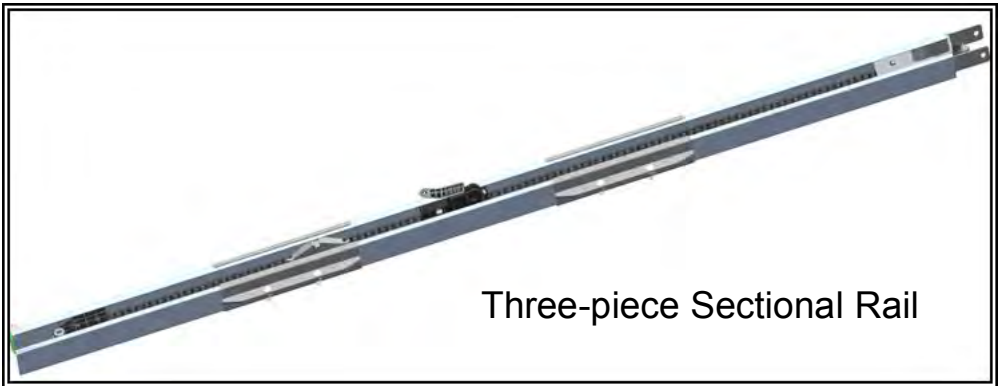
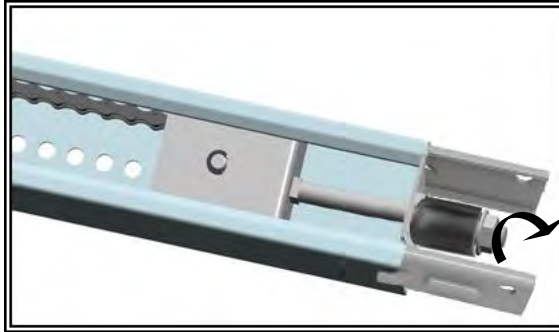
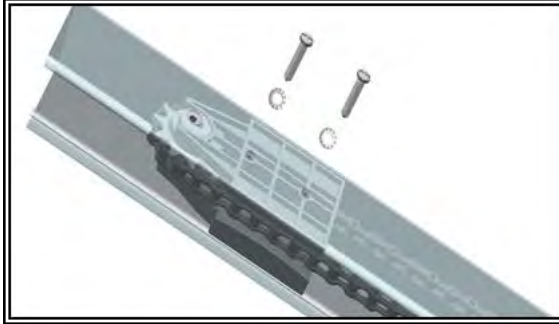
3、 Spread carefully the chain/belt straight inside the rail. Check to be sure the chain is not twisted.

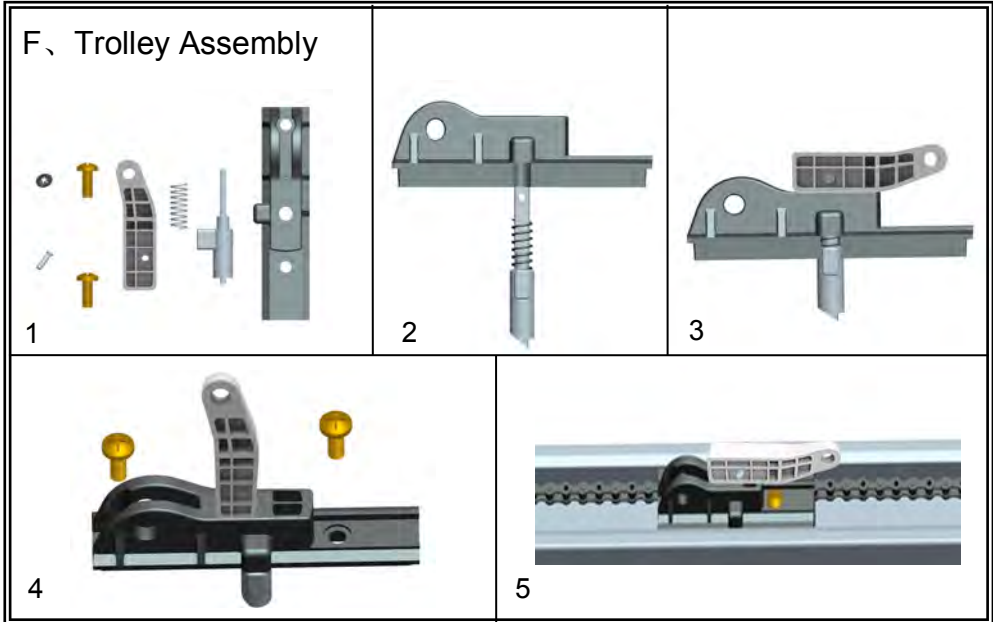
**NOTE:** Make sure the chain engage the 10-tooth sprocket as shown.



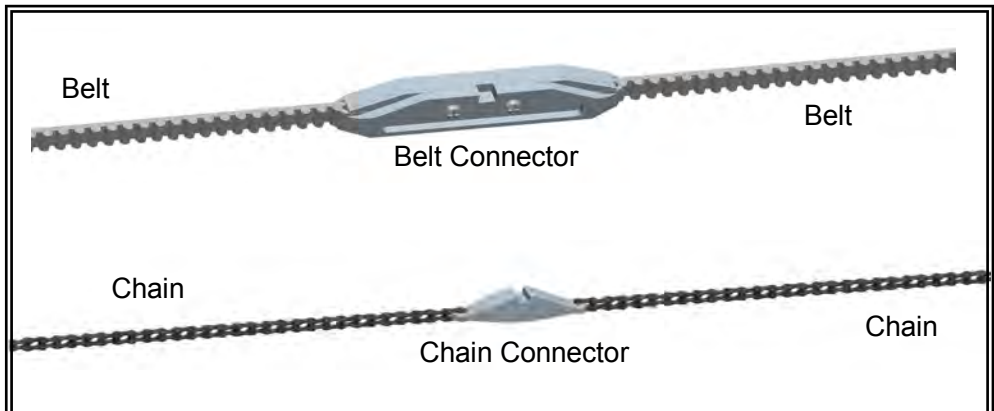
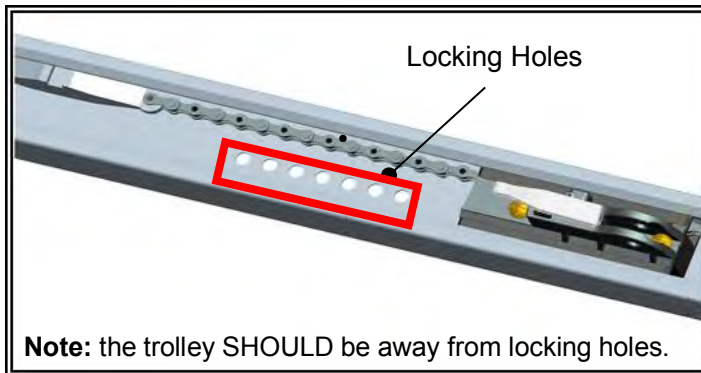
4. Screw and lock washer installation.

**NOTE:** If the chain (or belt) is too tight or too loose, please turn the outer nut to adjust the tension.





(Pre-assembled and packed in the carton for operator)



# Hardware

**H1** Shouldered shaft, long  $\Phi 8 \times 80$  (1)



**H2** Shouldered shaft, short  $\Phi 8 \times 30$  (2)



**H3** Hex Nut M8(6)



**H4** Hex Bolt M8 $\times$ 20(10)



**H5** Circle Pin  $\Phi 2 \times 25$ (3)



**H6** Cross recessed tapping screw M6 $\times$ 30 (4)



**H7** Lag Screw M8 $\times$ 50 (6)



**H8** Self-drilling Screw M6 $\times$ 25 (4)



**H9** Spring washer M8 (4)



Screw M4 $\times$ 30 (2)



"U" rail clip



Hanging bracket



Concrete Anchors (2)



Header bracket



Insulation nails (20)



Door bracket



Curved door arm



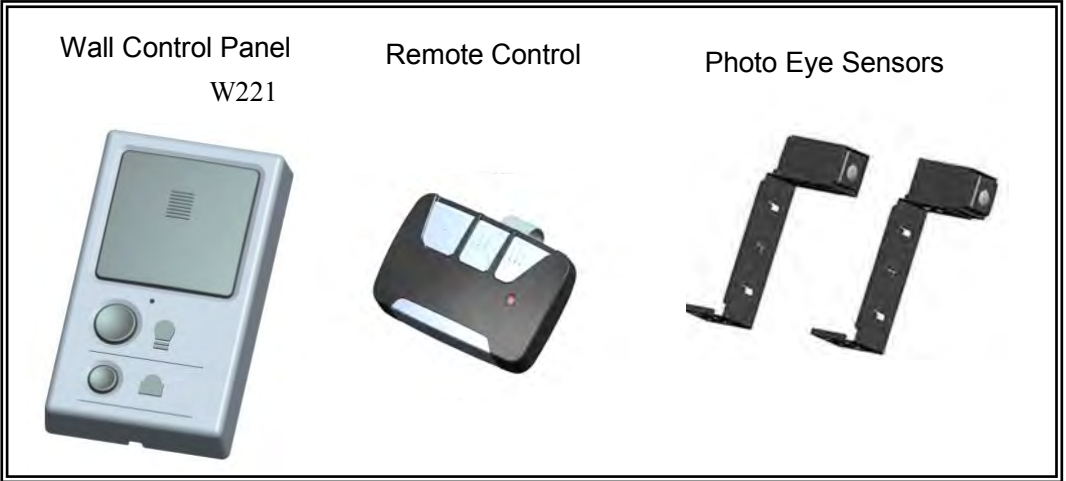
Warning labels and literature



Straight door arm



## INCLUDED ACCESSORIES



## INSTALLATION STEPS

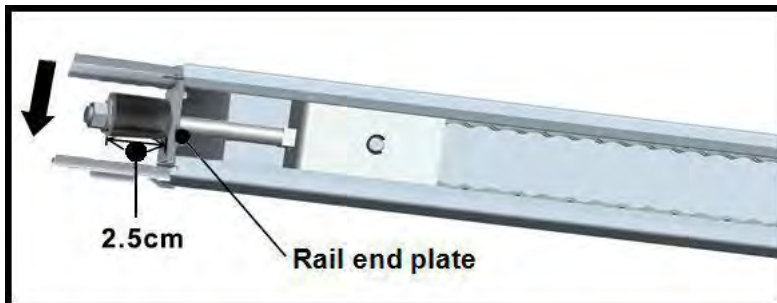
Do not run the garage door operator until instructed.

### CAUTION

To prevent INJURY from pinching, keep hands and fingers away from the joints while assembling the rail

### 1. Adjust the chain or belt

- 1.1 To increase the tension and tighten the chain, turn the tension nut clockwise with adjustable wrench until the nut is spaced properly from the rail end-plate.
- 1.2 Once the nut is spaced correctly, any additional tightening will over tighten the chain and may cause damage to the system.
- 1.3 To loose the tension, turn nut counter clockwise.



## 2、 Connect the rail to the operator

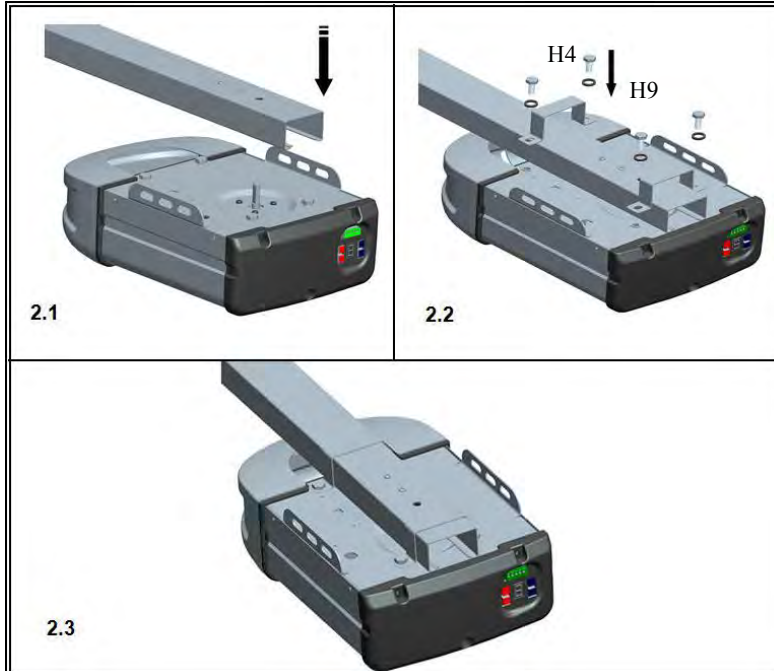
### CAUTION

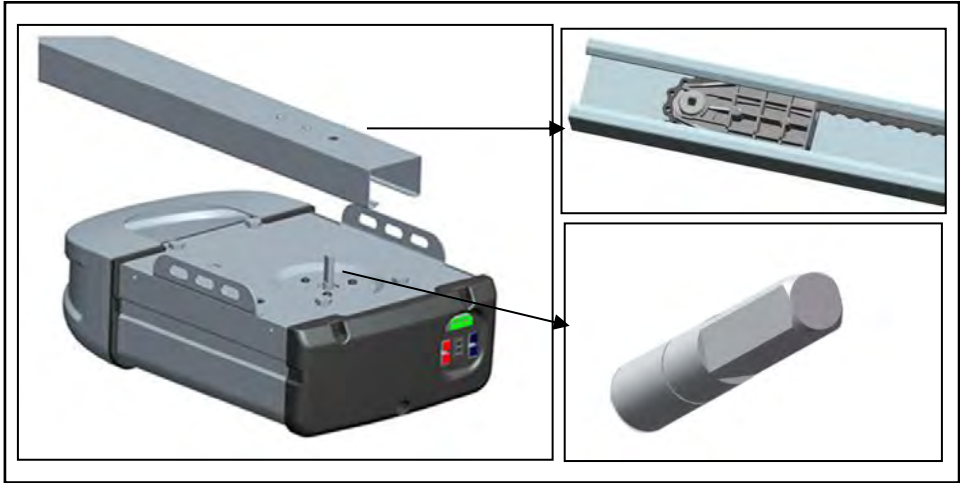
To avoid **SERIOUS** damage to garage door operator, use **ONLY** those bolts mounted in top of the operator.

- 2.1 Position operator with light facing towards the garage door. Rest operator head on cardboard or protective surface on floor so operator does not get scratched. Chassis side of operator facing up.
- 2.2 Position rail onto operator chassis by lining up rail sprocket, Make sure shaft insert into rail sprocket. Press rail down firmly onto shaft and operator chassis.  
**DO NOT HAMMER.**
- 2.3 Position 2 “U” rail clips over rail and onto chassis. Insert 4 hex bolts (H4) through rail clips holes and into chassis holes. and tighten hex bolts firmly to hold rail to the garage door operator head.

**H4** Hex Bolt M8×20(4)

**H9** Spring washer M8 (4)





Align the Shaft with sprocket hole, if necessary please pull chain/belt to a better position to install.

### 3、 Install The Header Bracket



## WARNING

#### To reduce any possible **SERIOUS INJURY** or **DEATH**:

- Header bracket **MUST** be fastened to structural support on header Wall or ceiling, otherwise the reversing safety system may not work.
- Do not install header bracket over drywall.
- The operator only works with a properly balanced garage door.

**3.1** Close the door and mark the center point of the door as vertical guide line.

**3.2** Locate the horizontal guide line for the header bracket and mark it. It must be at least 2" (50mm) from the doors highest position.

**3.3** Position the header bracket in the center of the vertical guideline and draw the horizontal set of bracket holes.

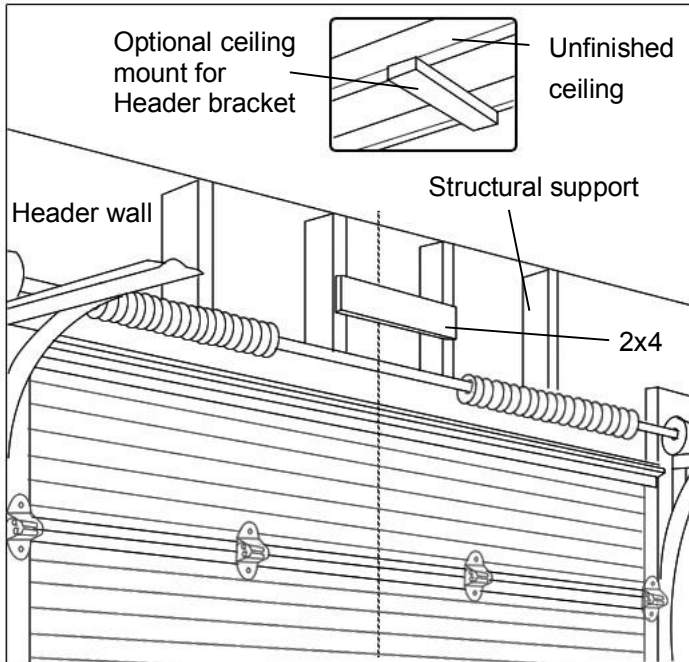
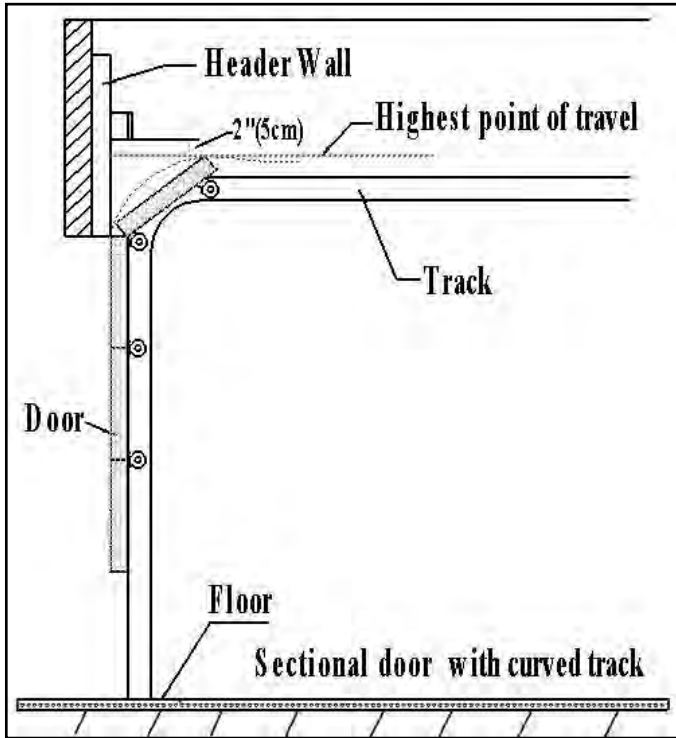
**3.4** Drill two 3/16" holes at the marked mounting points on the header.

**If installing into masonry, use concrete anchors (not provided).**

**3.5** Fasten the bracket securely to the header with the provided materials.

H7 Lag Screw M8×50 (2)







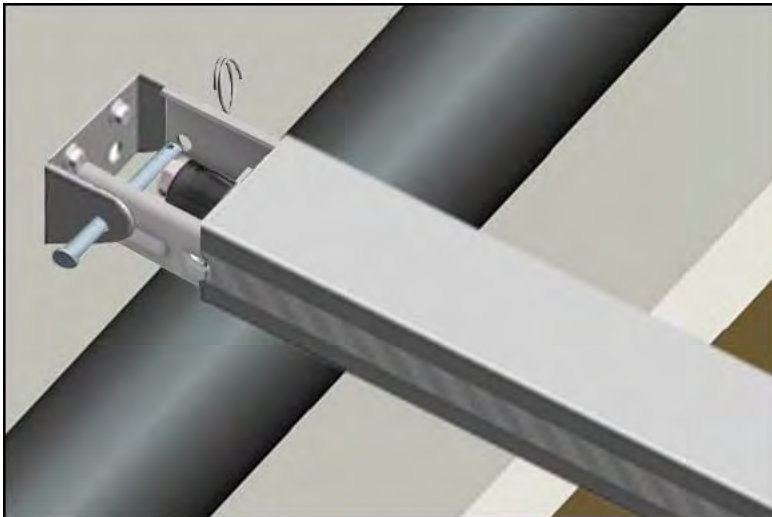
## 4、 Connect the Rail to the Header Bracket

Align the rail to the header bracket, fasten with the bolts and nuts (H1) (H2) as shown below.

### HARDWARE

**H1** Shouldered shaft, long  $\Phi 8 \times 80$  (1)

**H5** Circle Pin  $\Phi 2 \times 25$  (1)



## 5、 Attach the garage door operator to the ceiling

- 5.1 Elevate the operator onto a ladder. You will need help if the ladder is not tall enough.
- 5.2 Open the door all the way, leave the operator on the top section.

 **WARNING**

To reduce possible **SERIOUS INJURY**, the garage door operator must be properly secured to structural support of the garage.

**H4** Hex Bolt M8×20(4)



**H3** Hex Nut M8(4)

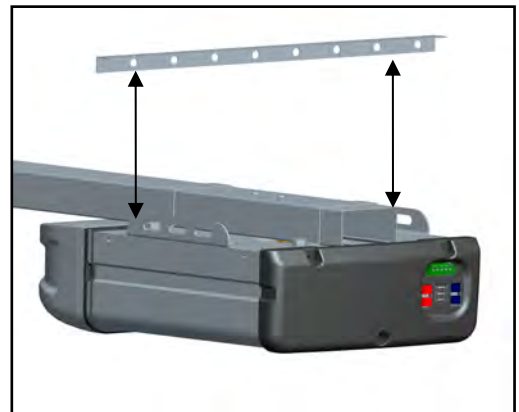
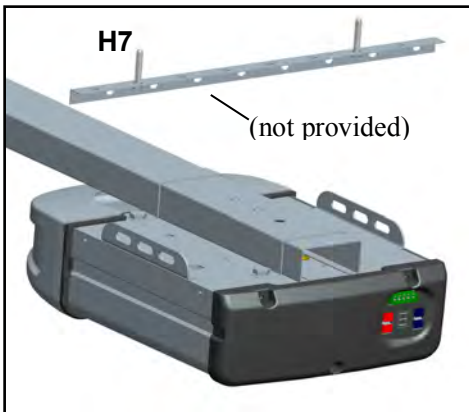


**H7** Lag Screw M8×50 (2)

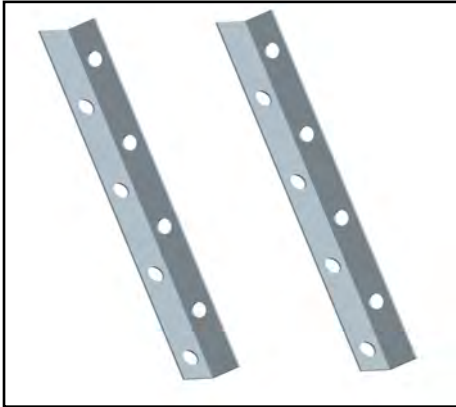


**5.3** On finished ceilings, use the lag screws (H7) to fasten a hanging bracket (not provided) to the structural supports before installing the garage door operator.

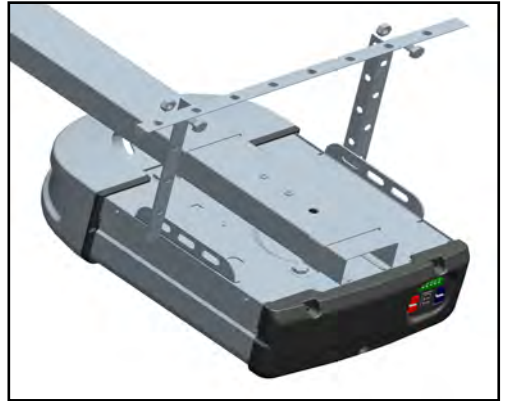
**5.4** The garage door operator must be aligned with the hanging bracket. The distance from each side of the garage door operator to the structural supports must be equal.



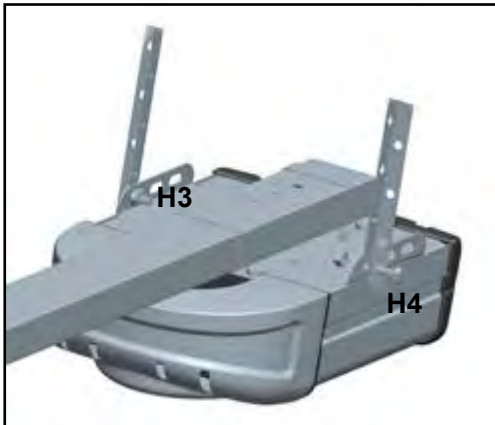
**5.5** Cut the hanging brackets to measured lengths.



**5.6** Fasten the end of each hanging bracket to the bracket on the ceiling.



**5.7** Fasten the hanging bracket on the chassis of garage door operator with bolts (H4), and nuts (H3).



**5.8** Open and close the door manually. If the door hits the rail, lift the header bracket.

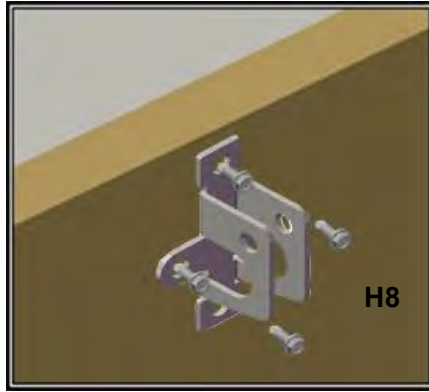
## 6、 Install the door bracket

**NOTE:** Please contact your garage door manufacturer if your garage door needs reinforcement kit. Many door reinforcement kits provide for direct attachment of the clevis pin and door arm. In this case you will not need the door bracket; proceed to the next step.

**H8** Self-Threading Screw M6×25(4)



- 6.1 Keep the door in the closed position.
- 6.2 Align the door bracket to the center line of the top section 2" to 4" below the top edge of the door. Mark mounting points.
- 6.3 Drill 3/16" fastening holes, Secure the door bracket by using the four self-threading screws (H8). Pay attention on your doors construction:



## 7、 Attach the door arm

**H2** Shouldered shaft  
Φ8×30 (2)



**H3** Hex Nut  
M8(2)



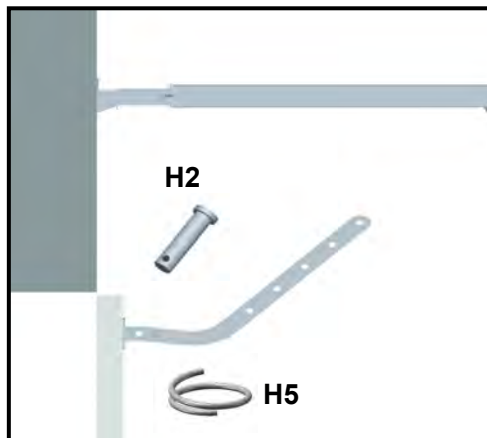
**H4** Hex Bolt  
M8×20(2)



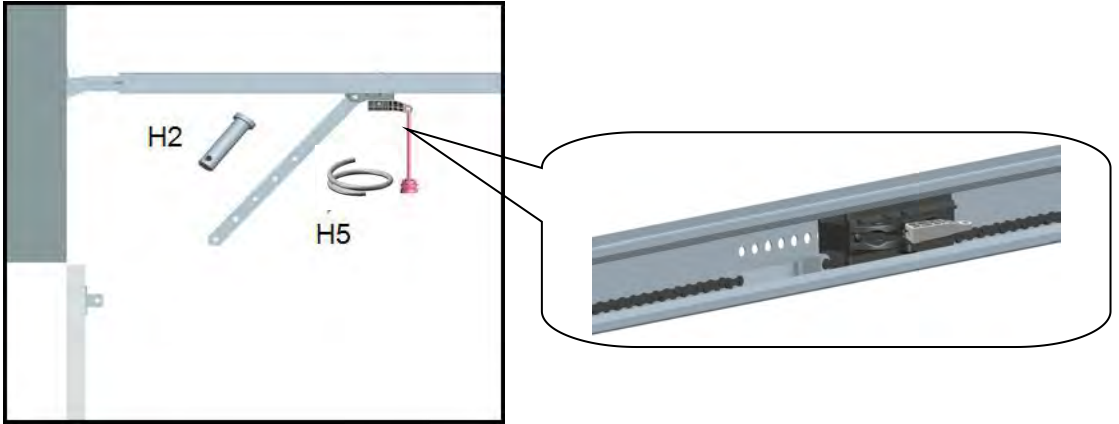
**H5** Circle pin(2)



- 7.1 Close the door. Connect the curved door arm to the door bracket by using the shouldered shaft (H2). Attach the shouldered shaft with the cotter pin(H5).

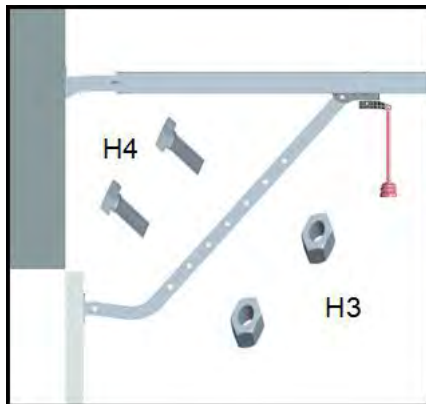


- 7.2 Pull the emergency release to move the trolley to the locking holes. Connect the straight door arm to the trolley by using the shouldered shaft (H2). Attach the shouldered shaft with the cotter pin.



**(Note: In case of power failure, pull the release handle to move trolley to locking hole, so that the garage door is securely locked )**

- 7.3 Line up the straight arm and curved arm. And fasten them using the bolts (H4), nuts (H3) inserted in the 2 holes as far apart as possible.



- 7.4 If the curved arm and straight arm's holes do not exactly match, pull the emergency release to move the trolley a little bit. The holes should be aligned.
- 7.5 After door bracket, door arms and trolley securely fastened, Pull the emergency release towards the chain/belt connector . Once they are connected, you will hear a click.



**NOTE:** If the door arm is hanging down too far, please cut the extra part from the end.

## 8、 Install light bulb



### WARNING

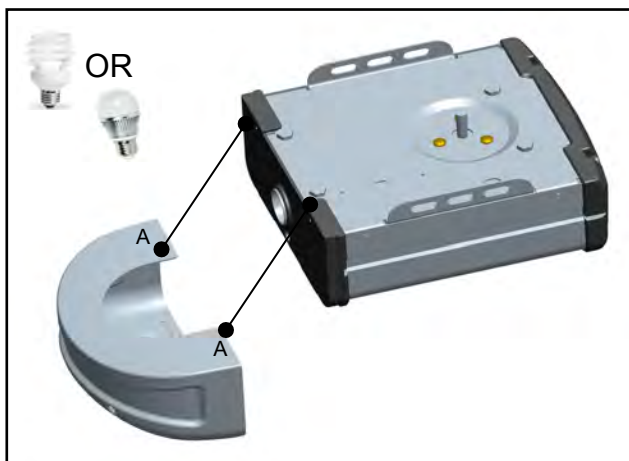
To avoid possible overheating of the end panel or light socket:

- Use ONLY A19 incandescent or compact fluorescent light bulbs.
- DO NOT use incandescent bulbs larger than 100W.
- DO NOT use compact fluorescent lamp(CFL) larger than 26W (100W) equivalent.
- DO NOT use halogen bulbs.

8.1 To remove the light lens, pull on the top 2(A) position and tilt down the lens.

8.2 Insert an A19 incandescent or compact fluorescent light bulb (100 watt maximum), or compact fluorescent (26W) into the light socket.

8.3 To install the light lens, line up the lens slots with taps in the bottom of the operator, tilt it up and snap into place.



## 9、 Install the Emergency Release Cord and Knob



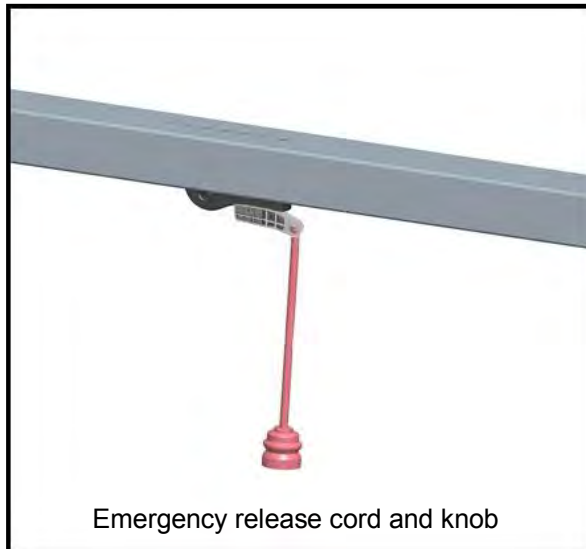
### WARNING

To avoid possible SERIOUS INJURY or DEATH from a falling garage door:

- If possible, use emergency release to disconnect trolley ONLY when garage door is closed. Deficient springs or unbalanced door could cause an open door falling accident.
- DO NOT use handle to drag door open or close.
- Always make sure the doorway is clear of persons and obstructions.

**NOTE:** Ensure that the emergency release cord and knob are above the top of all moving objects to avoid entanglement.

- 9.1 Insert one end of the emergency release cord through the hole in the trolley and tie a knot securely.
- 9.2 Insert the other end of the emergency release cord through the knob. Tie a knot securely. Make sure the knob is 6 feet (1.83 m) above the floor. Cut off the remaining cord.
- 9.3 Make sure the knots are tied securely. If cord knots become untied or loosen, you could fall.



Emergency release cord and knob

## 10、 Install the wall control



Installation and wiring must comply with local building and electrical rules and laws.

### To avoid any possible **SERIOUS INJURY** or **DEATH** :

- DO NOT connect the power source at this time.
- The wall control should be at a minimum height of 5 feet (1.5 m) from the floor out of reach of children. The wall control must be installed inside the garage within sight of the garage door.
- Do not let children play with wall control buttons or remote controls.
- Open or close door **ONLY** when the doorway is clear, and the garage door and operator are properly installed and maintained. The wall control must be away from all moving parts of door.
- While using the wall control or remote controls, the user must have clear vision of the garage door until the door is fully closed.

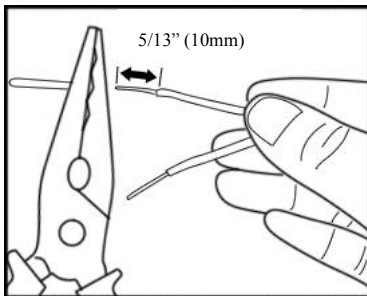
### HARDWARE

Concrete Anchors (2)

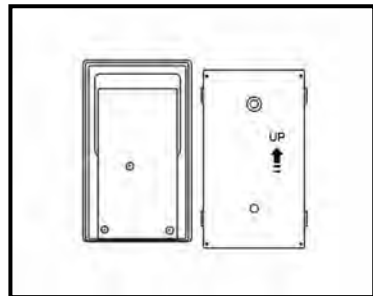
Screw M4×30 (2)



**10.1** Strip back 10 mm of insulation and separate the wires.

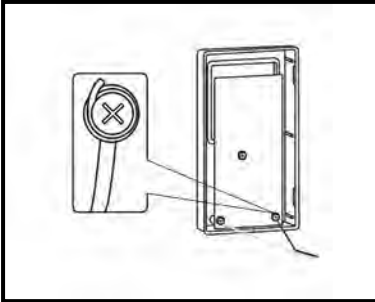


**10.2** Open the back cover of the wall control.

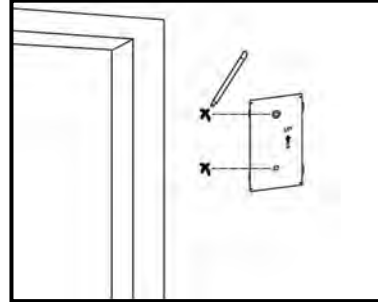




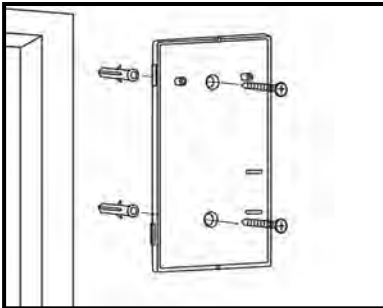
**10.3** If the wires are not connected, Connect the white wire to the #3 screw ,connect the red \white wire to the #4 screw.



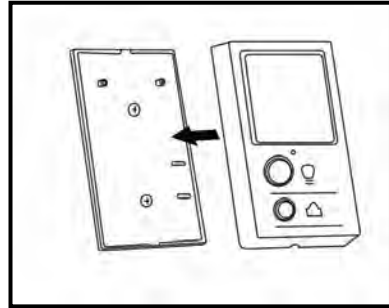
**10.4** Mark the location of the 2 holes of back cover of wall control and drill a 6 mm hole.



**10.5** Insert and tighten screws to secure the back cover of the wall control to wall.



**10.6** Snap the wall control onto the back cover.



## 11. Connect the wall control to the garage door operator

Run the wires from the wall control along the wall and ceiling to the operator. Use staples or suitable material to secure wiring neatly to avoid entanglement.

**11.1** Strip back 10 mm of insulation from the other end of the wire.

**11.2** Connect the white wire to the #3 terminal and the red\white wire to the #4 terminal on garage door operator.



## 13、 Install The Photo Eye System



**Do not plug the operator in.**

To avoid SERIOUS INJURY or DEATH from a closing garage door:

- Properly install the Photo eye safety system as instructed.  
The photo eye safety system MUST NOT be deactivated.
- The top edge of the photo eye sensors must be installed NO HIGHER than 6" (15 cm) from the floor.

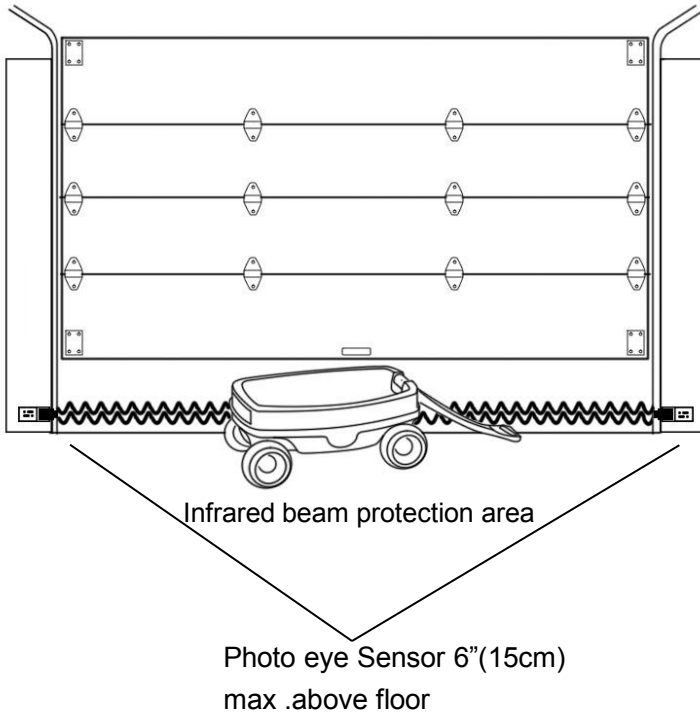
**Note: The photo eye system must be installed, connected, and aligned properly before the operator will move in the down direction.**

The receiving sensor (with the convex lens) should not be on sunny side if possible.

The sensors must be installed inside the garage.

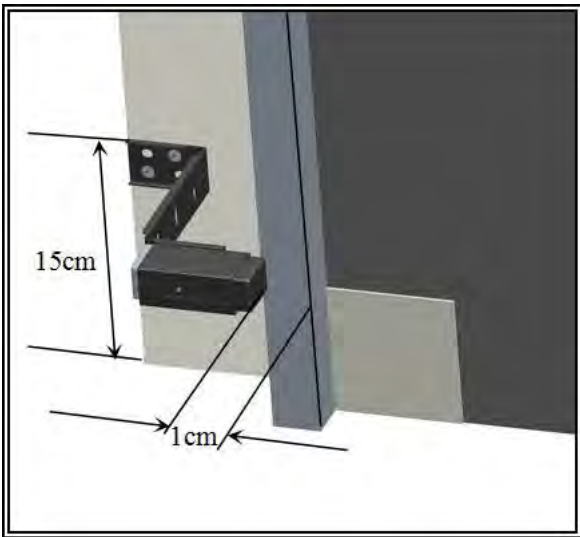
The sending sensor and receiving sensor must be aligned and facing each other properly. Both sensors are no higher than 6 inch (15 cm) from the floor.

The photo eye system includes a sending sensor and a receiving sensor. The sending sensor produces an infrared light beam to the receiving sensor . The sending sensor with red light is comparably smaller than receiving sensor with green light. If an object blocks the infrared light beam while the door's closing, the door will stop, then reverse to full open, and the garage door operator lights will flash three minutes.



**13.1 Install the Photo Eye Sensors(PE-002)**

The photo eye sensors can be attached to the wall or the floor, The sensors should be no more than 6 inches (15 cm) above the floor.



**H6** Cross recessed tapping screw  
M6×30 (4)

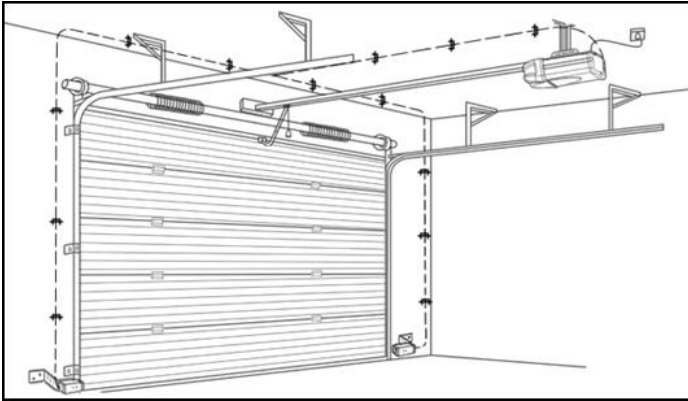


**NOTE:**

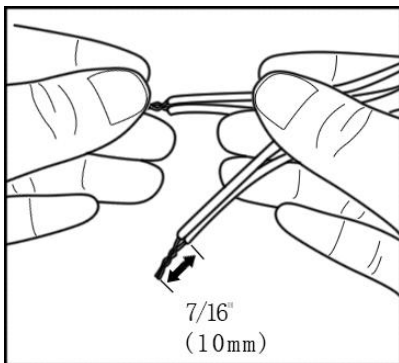
1. Draw a line from the floor, no more than 6 inch(15cm).
2. Locate the mounting bracket against the wall as figure, and mark the mounting points, with sensor holder facing each other from left to the right of the door.
3. Fasten the mounting bracket to the wall using lag screws.
4. Run the wire from the sending sensor and receiving sensor to the operator head.
5. Use insulated staple to fasten wires to the wall and ceiling.
6. Make sure the beam passage is clear.

### 13.2 Connect the photo eye sensors to operator head

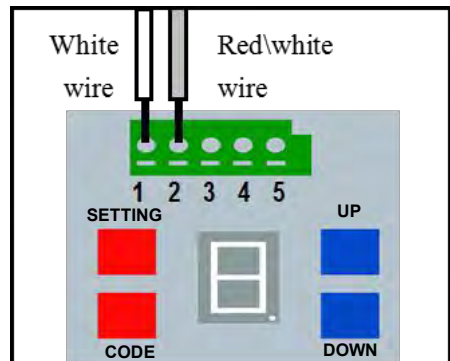
- a. Run the wire from both sensors to the operator head. Use insulated staples(NO PROVIDED) to fasten wires to the wall and ceiling.



- b. Strip back 10mm insulation from wires . Split the wires. Twist the white wires together. Twist the white/red wires together.



- c. Insert the white wires into the #1 terminal on the garage door operator. Insert the white/red wires into the #2 terminal on the garage door operator.



## 14. Connect the operator to power

### **WARNING**

To prevent electrocution or fire, installation and wiring must comply with all local electrical and building codes.

- Please make sure power is NOT connected to the operator.
- Make sure the operator is grounded, do not modify the plug.

### **NOTE:**

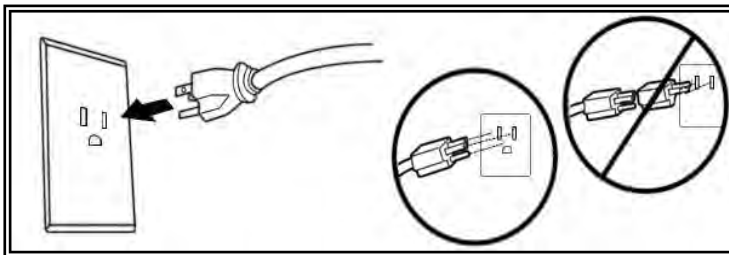
Do not use extension cord.

Do not use any power supplies other than standard household power source.

Do not use a 3 to 2 plug adapter.

The operator must be connected to a grounded outlet near the operator head, if the grounded outlet is not available, please contact a qualified electrician.

Do not modify the plug.



- Plug the operator into a grounded outlet.
- When the operator is connected to the power, the light should turn on; And the screen on setting panel is showing from 9 to 1, then flashing “ | | ”. If the light is not on, please check the power and its light bulb.
- DO NOT operate the garage door operator at this point.

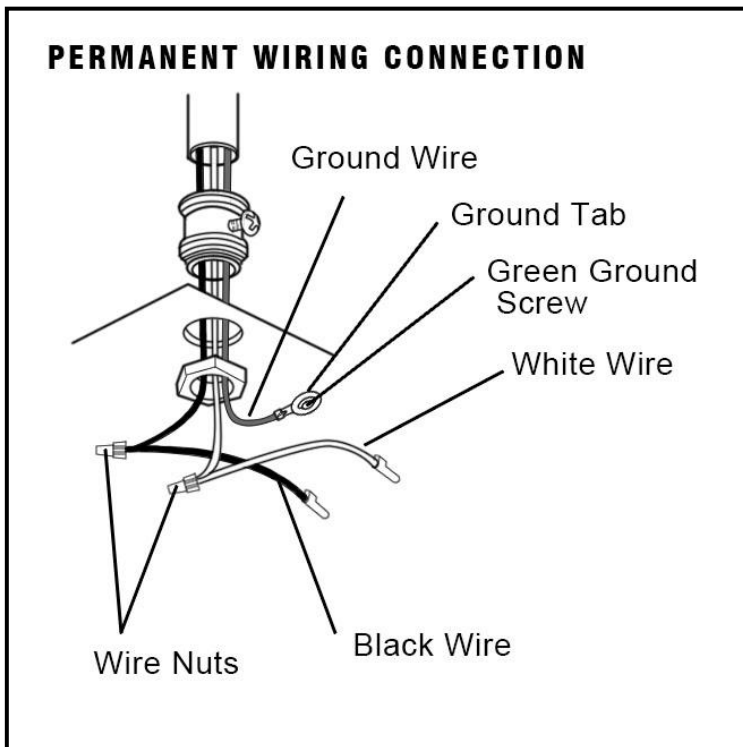
### **PERMANENT WIRING**

If your local code requires your operator to be connected via permanent wiring instead of a cord and a plug, your operator must be converted following procedures below.

Please call a qualified electrician to make a permanent wiring connection under your local building and electrical codes.

To make a permanent connection through the 7/8" hole in the top of the motor unit (according to local code):

- (1) Make sure power is NOT connected to the operator, and disconnect power to circuit.
- (2) Open the garage door operator cover and set aside.
- (3) Remove the attached green ground terminal.
- (4) Cut black and white wires and strip away 1/2" (1 cm) of insulation, 6" (15 cm) before spade terminals.
- (5) Remove the power cord from opener.
- (6) Knock out the hole plugs above 7/8" hole.
- (7) Install a conduit or flex cable adapter to the 7/8" hole
- (8) Run wires through conduit, cut to proper length and strip insulation.
- (9) Attach with wire nuts provided. Attach the ground wire to the green ground screw. The opener must be grounded.
- (10) Properly secure wire under plastic ties so that wire does not come in contact with moving parts.
- (11) Install the cover. DO NOT run garage door opener at this point.



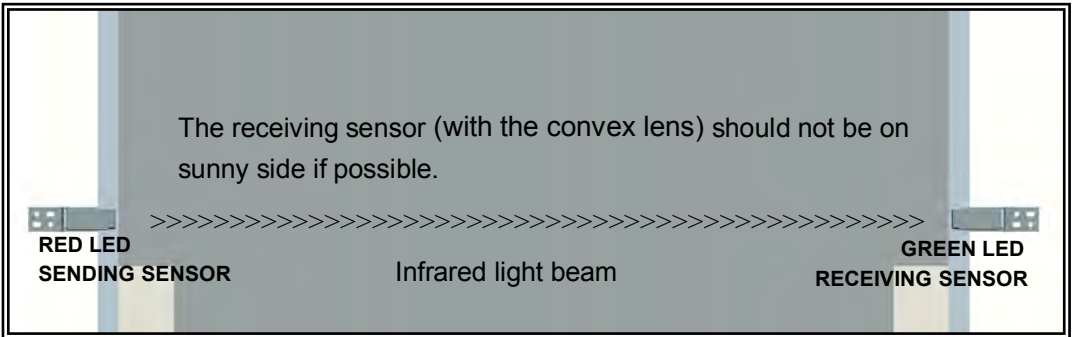
## 15. Aligning and adjusting the Photo Eye System.

Always make sure there is a clear path between sensors.

The operator will not run if the sending sensor and receiving sensors are not correctly aiming each other. If the sensors are aligned correctly, the LEDs in both sensors will glow.

If the infrared light beam is blocked by obstacles while the door is closing, the door will stop and reverse to the fully opened position, and the operator light will flash three minutes.

While the door is opening, it will continue to open if the beam is blocked.



- If the LED on the sending sensor is not glowing, check if the wiring is correctly connected.
- If the LED on the receiving sensor is not glowing, check if the two sensors are properly aligned.

**NOTE:** The photo eye system must be tested every month.



# Test and Adjustment

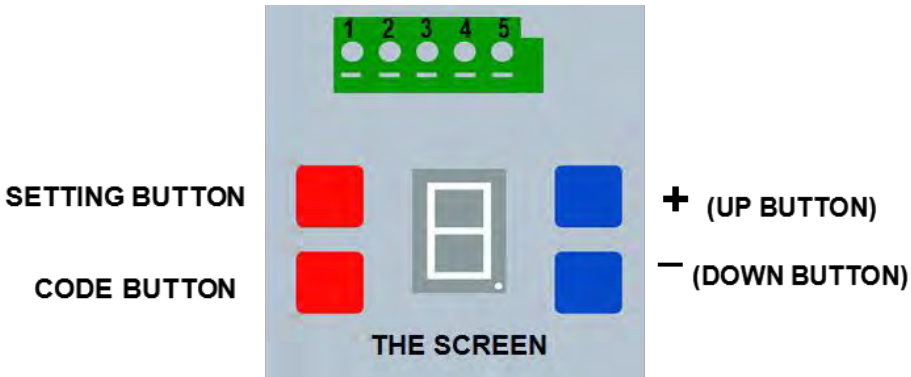
## **WARNING**

- To prevent possible serious injury or death by a closing garage door, Please correctly install reversing safety system and garage door operator.
- During installation and test of the operator, make sure no one (particularly children ) near or around the garage door.
- The garage door must reverse on contact with a 1-1/2" (3.8cm) high object on the floor.
- The reversing safety system must be tested after any changes or adjustments.

## 1、 SYSTEM SETUP

The Setting Panel is located on the left side panel of the garage door operator. To use the setting panel, remove the left light cover.

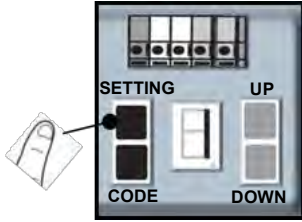
### SETTING PANEL



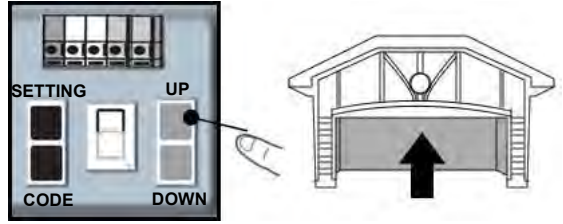
### Setting the Travel Limits

During the initial setting, adjustments, or testing, always make sure the doorway is clear.

**1.1** Press and hold the **SETTING** Button until the screen show “1”.



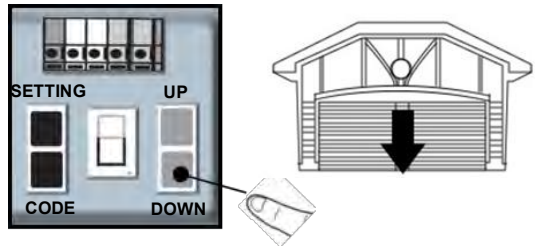
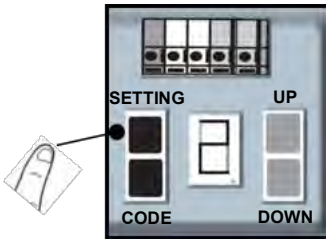
**1.2** Press and hold the **UP** Button to bring the door to the desired open position.



**1.3** Use **UP** button and **Down** button to adjust until the desired open position is found.

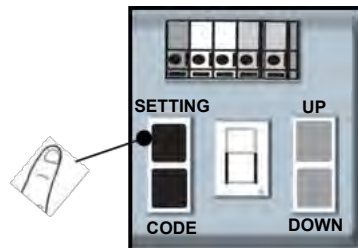
**1.4** Save the desired **UP** position by press and release the **SETTING** Button. The screen will show “2”.

**1.5** Press and hold the **DOWN** Button to bring the door to the desired **DOWN** position.



**1.6** Use **UP** button and **Down** button to adjust until the desired close position is found.

**1.7** Save the desired **DOWN** position by press and release the **SETTING** Button. The screen is flashing “ | | ”.



**1.8** The garage door operator will automatically open the door again, then close the door .

## 2、 TEST THE REVERSING SAFET SYSTEM

### **WARNING**

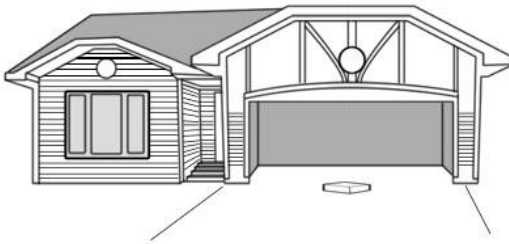
To prevent possible serious injury or death by a closing garage door, Please correctly install reversing safety system and garage door operator.

The garage door must reverse on contact with a 1-1/2" (3.8cm) high object on the floor.

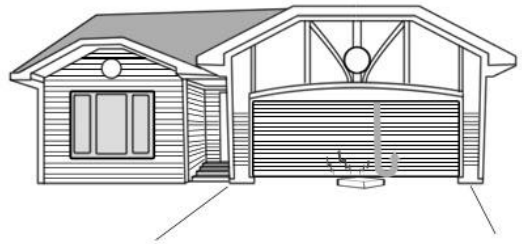
The reversing safety system must be tested after any changes or adjustments.

Reversing Safety system **MUST** be tested monthly.

**2.1** Lay a 1-1/2 inch high (3.8cm) board on the floor, centered under the garage door after the door is fully opened.



**2.2** Use the remote control to close the door. The door **MUST** reverse on contacts with the board.



**2.3** If the door fails to reverse, check if the travel limits are correct (refer to Test and Adjustment--**setting the travel limits** ).

**2.4** If the door reverses to fully open position on contacts with 1 inch high board, remove the board and complete 5 cycles of opening and closing of the door to check if the travel limits are correct.

**2.5** If the reversing safety system fails to operate as per the above-mentioned, consult a trained qualified technician.

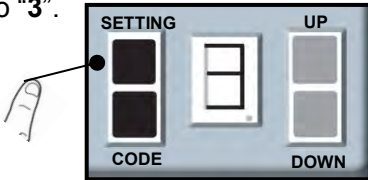
### 3、 FORCE SENSITIVITY ADJUSTMENT

## CAUTION

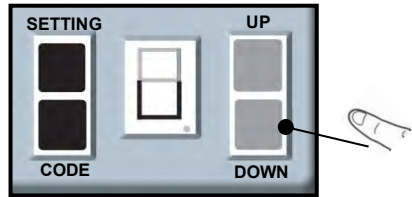
factory default settings can be restored .This programming may only be carried out by a professional installer.

#### 3.1 Adjust The CLOSE force sensitivity

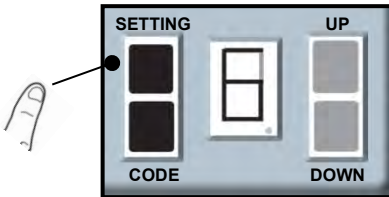
a. Press and hold the **SETTING** Button until the screen show the number from “1” to “3”.



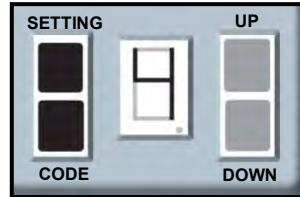
b. Press and release the **DOWN** Button and the screen show the “ U ”.



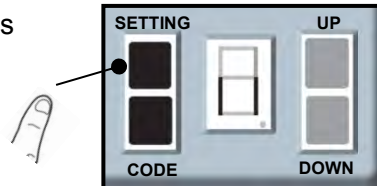
c. Press and release the **SETTING** Button and the screen show the levels of the force sensitivity (from 1 to 9 )



d. Use the **UP** Button to increase the levels(9 indicates ‘Maximum force’ ), press the **DOWN** Button decrease the levels(1 indicates ‘Minimum force’ ) .



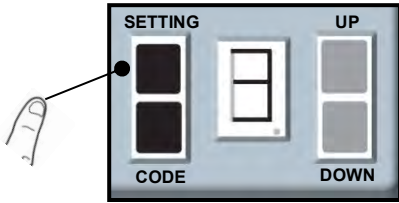
e. After the desired level is selected, press and release the **SETTING** Button and the screen is flashing “ | | ”. Adjustments is complete.



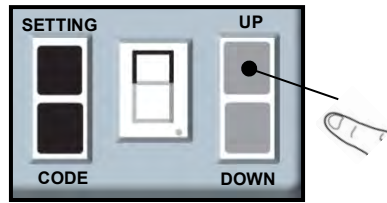
**Note:** It is important to ensure that the forces generated by the garage door operator are adjusted to the minimum level necessary to operate the door reliably, not to maximum forces.

### 3.2 Adjust The “OPEN” force sensitivity

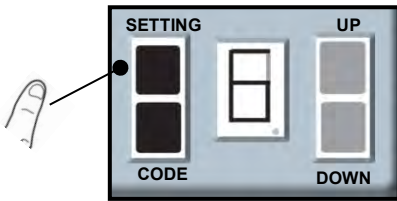
a. Press and hold the **SETTING** Button until the screen show the number from “1” to “3”.



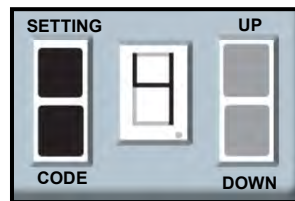
b. Press and release the **UP** Button and the screen show the “∩”



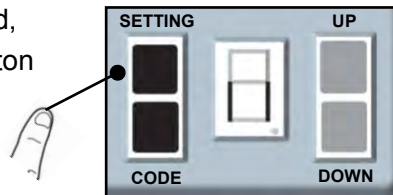
c. Press and release the **SETTING** Button and the screen show the levels of the force sensitivity (from 1 to 9 )



d. Use the **UP** Button to increase the levels(9 indicates ‘Maximum force’ ), press the **DOWN** Button decrease the levels(1 indicates ‘Minimum force’).

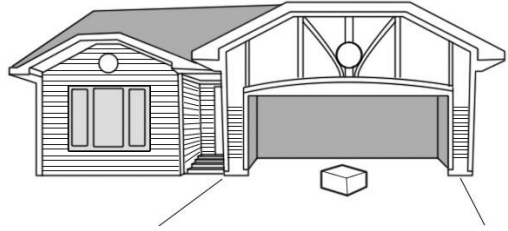


e. After the desired level is selected, press and release the **SETTING** Button and the screen is flashing “ | | ”. Adjustments is complete.



## 4、 TEST THE PHOTO EYE SAFETY SYSTEM

**4.1** While the door is fully opened, lay a box under the door to block infrared light beam.



**4.2** Close the door with remote control. The door should not move, and the garage door operator lights will flash three minutes. Screen shows 4.

To reset operator, remove the box, press the wall control button, the door should be operated normally.

**4.3** If the door does not stop and reverse, check:

- if the sending sensor and receiving sensor are properly aligned.
- if the wiring of sensors are properly connected.

**Note:** If the garage door operator closes the door when the safety sensor is obstructed, call for a trained door systems technician.

# SAFETY INSTRUCTION

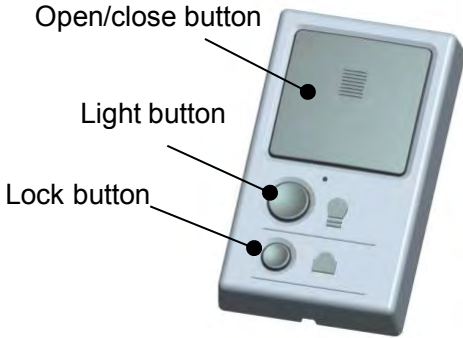
## IMPORTANT SAFETY INSTRUCTIONS



**To reduce the risk of SEVERE INJURY or DEATH:**

- 1. READ AND FOLLOW ALL INSTRUCTIONS.**
- 2. NEVER let children operate or play with garage door controls or remote controls. Keep remote control away from children.**
- 3. Always keep the moving door in sight and away from people and objects until it is completely closed. NO ONE SHOULD CROSS THE PATH OF THE MOVING DOOR.**
- 4. NEVER WALK UNDER A STOPPED, PARTIALLY OPENED DOOR.**
- 5. Test the garage door operator monthly, the garage door must reverse on contact with a 1-1/2 inch (3.8cm) high object on the floor. After adjust either the force or travel limit, please re-test the garage door operator. Failure to adjust the operator properly, may cause severe injury or death.**
- 6. When possible, use the emergency release only when garage door is in the CLOSED position. Use caution when using this release with the door open. Weak or broken springs or unbalanced door may cause the garage door to fall rapidly, increase the risk of severe injury or death.**
- 7. KEEP GARAGE DOORS PROPERLY BALANCED. See garage door owner's manual. An improperly balanced door increases the risk of severe injury or death. Have a qualified door system technician make repairs to cables, spring assemblies, and other hardware.**
- 8. Test reversing safety system and photo eye safety system monthly.**
- 9. SAVE THESE INSTRUCTIONS.**

## 5、 WALL CONTROL



### **Open/Close Button**

To open and close, press the open/close button

### **LIGHT BUTTON**

To turn the garage door operator lights on or off, use the light button. Once the lights are on ,they will stay on until being pressed again or be off after three minutes .

The light button will not function while the door is in motion.

### **Lock button**

Use the **Lock button** to disable the remote controls from opening or closing the garage door while the wall control and keyless entry still functions.

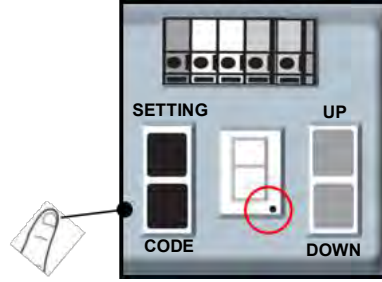
1. Press and hold the **Lock button** until the LED is flashing. The garage door will not be operated by remote controls.
2. Press and hold the **Lock button** until the LED stops flashing, the remote controls will be able to control the garage door again

**Note:** If the door is fully open, and the reversing safety sensors are not installed or are misaligned, the door will not close from a remote control. However, you can close the door if you hold the push bar on the wall control until the door is fully closed. The reversing safety sensors do not affect the opening cycle.

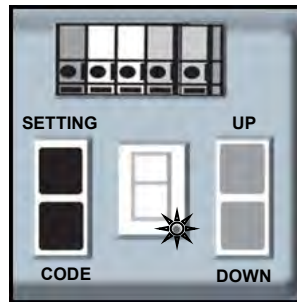
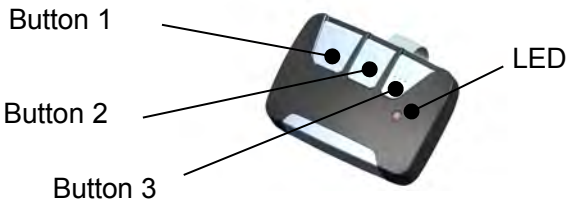


## 6、 PROGRAM THE REMOTE CONTROL

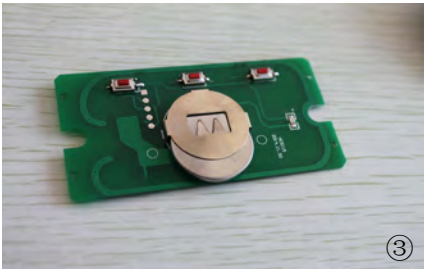
6.1 Press the **CODE** Button on the setting panel until the screen shows “●”.



6.2 Within 10 seconds, press the **Button 1** on the remote control , the “●” will turn off. Press the **Button 1** again, the “●” will flash and turn off. Now, congratulation!



# 7. REMOTE CONTROL BATTERY REPLACEMENT AND VISOR CLIP INSTALLATION



## 1、 Battery replacement.

- Unscrew and open the rear cover gently.
  - Replace the battery with a new one and insert it correctly
  - Recommended battery type: 3V CR2032 coin battery
- assemble the rear cover into place
- Tighten the screws.
  - Press the Button,the 'LED' will flash.

## 2、 Visor clip.

- Slide visor clip into back of remote control.
  - It will snap into place .



## Note:

To open or close the garage door, press and hold button . When the garage door begins to move, release button .

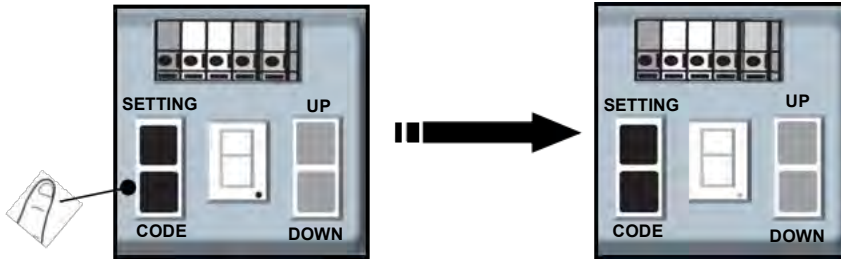
To stop garage door during travel, press and hold button until door stops, then release button.

To resume garage door travel after stop, press button again. Door begins to move in the opposite direction

## 8、 DELETE THE MEMORY

### DELETE ALL MEMORY FROM REMOTE CONTROLS

Press and hold the **CODE** button on SETTING PANEL, the “●” will turn on. Release the **CODE** button until the “●” turns off. All remote controls are now disabled. To reprogram, refer to **Program The Remote Controls**.



## 9、 USE EMERGENCY RELEASE TO OPEN GARAGE DOOR MANUALLY

### **WARNING**

A falling garage door may result in **SERIOUS INJURY** or **DEATH** caused by improperly using the emergency release.

Emergency release knob should be used when garage door is **CLOSED** if possible.

**Never use emergency release unless power outage, monthly inspection, or emergency situation.**

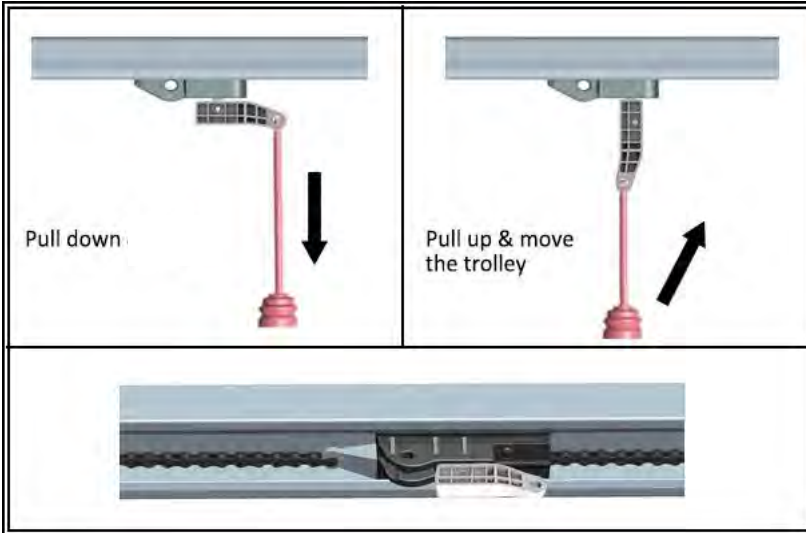
Always make sure the garage door is in good and balanced conditions before use emergency release knob.

**NEVER** use emergency release knob unless garage doorway is clear of persons and obstructions.

**NEVER** use emergency release knob to pull door open or closed.

## 9.1 How to use the emergency release:

- a If possible, keep the door in closed position.
- b Pull down the emergency release knob and hold. Then carefully open or close the door manually, always take highly cautious when the door is disconnected from the operator because of falling door.
- c To re-engage the trolley with the door, Pull down the emergency release knob and move the trolley to find the chain/belt connector till they are reconnected.



## Maintenance Schedule:

### EVERY MONTH

- Check the garage door conditions as per the instruction of your garage door manufacturer. Make sure the garage door is in good and balanced condition. If not, call a trained door systems technician.
- Test the emergency release.
- Test the reversing safety system.
- Test the photo eye system.

### EVERY YEAR

- Yearly maintenance of the garage door according to manufacturer's instructions.
- Test the emergency release.
- Test the reversing safety system.
- Test the photo eye system.
- Adjust the travel limits as needed.
- Adjust the tightness of belt / chain with the Hex nut at the end of the rail end plate.

# Operator Parts:

## DESCRIPTION

1. Chassis.
2. Motor and Hall sensor
3. Transformer
4. Logic Control Board
5. Light Lens
6. Light Socket
7. Light socket fixed board
8. Plastic cover with light socket
9. Plastic cover with Logic Control Board
10. Cover

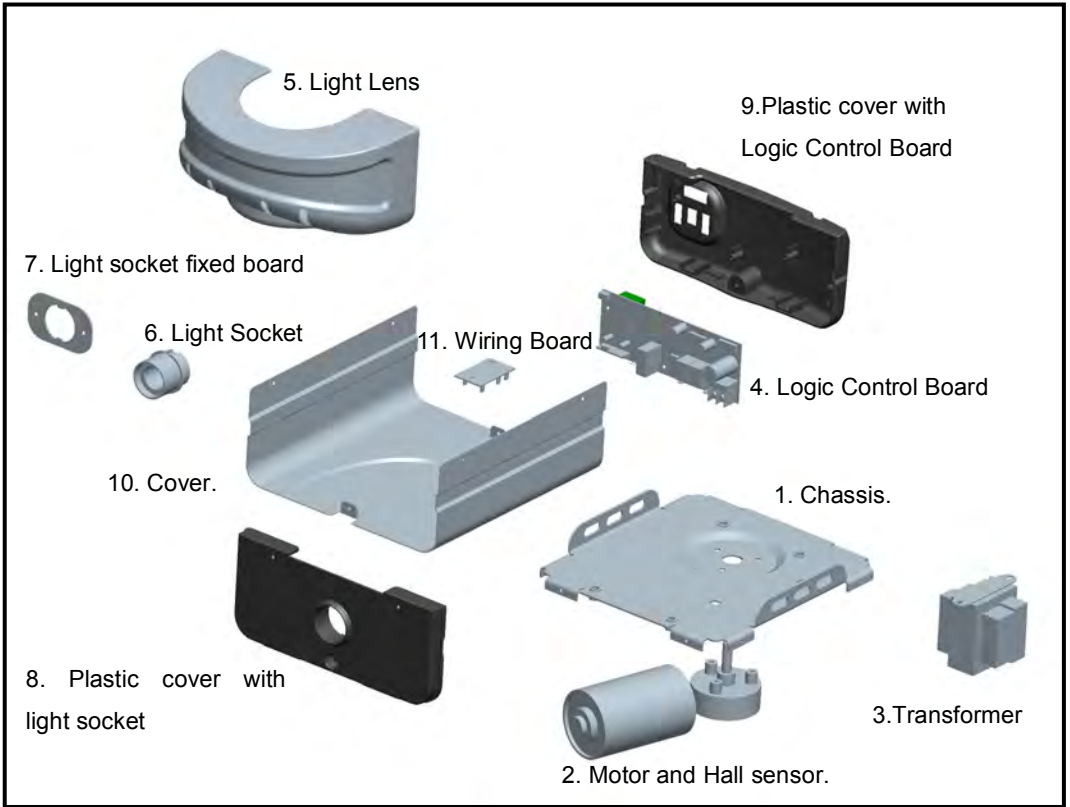
## ACCESSORIES

1. Mounting Bracket and the reversing safety sensors with wire ([PE-002](#))
2. Three Keys Wall control
3. Remote control

## NOT SHOWN

Wire Harness Kit  
Hall sensor




# GARAGE DOOR OPERATOR PARTS



# Troubleshooting

The screen on setting panel of your operator shows the diagnostic codes.

Screen show	Problem	Most likely	Solution
Number <b>4</b> flashing	No closing movement and flashing light.	Photo eyes not installed or connected. Photo eye sensors are blocked	Check if the photo eye system is properly installed and connected. (refer to <b>Install The Photo Eye System</b> ). Check if the photo eye sensors are blocked.
Number <b>5</b> flashing	When the door is closing, it stops and reverses. The light is flashing.	The door is not operated smoothly.	1. If the door is binding or sticking, contact a trained garage door technician. 2. Check the close force sensitivity, if the close force is set at a very low level, Refer to <b>'FORCE SENSITIVITY ADJUSTMENT'</b> . Ensure that the close force is adjusted to the minimum level necessary to operate the door reliably.
Number <b>5</b> flashing	The door stops while opening for no apparent Reason. The light will flash.	Obstruction during the door movement.	1. Remove the obstruction, or contact a trained garage door technician. 2. Check the open force sensitivity, if the open force is set at a very low level, Refer to <b>'FORCE SENSITIVITY ADJUSTMENT'</b> . Ensure that the open force is adjusted to the minimum level necessary to operate the door reliably.
Number <b>6</b> flashing	The door cannot move. The light(s) will flash.	Obstruction during the door movement. Bad hall sensor. Motor pulse signal error.	1. Remove the obstruction, or contact a trained garage door technician. 2. Reprogram the travel limits.

Letter <b>L</b> flashing	The garage door operator will not automatically open and close the door . The light will flash.	Program error	If the garage door moves okay, reprogram the travel.
Number <b>8</b> flashing	The door cannot move. The light will flash.	Low power voltage supply	Have the logic board replaced.
Number <b>3</b> flashing	The door cannot move. The light will flash.	Bad logic board	Have the logic board replaced.
Number <b>2</b> flashing	The door cannot move. The light will flash.	Obstruction during the door movement.	1. Remove the obstruction, or contact a trained garage door technician. 2. If the door moves okay, reprogram the travel limits.
 flashing	The door cannot move. The light will flash.	power frequency 60 Hz signal error	Check the input power.
 flashing	The door cannot move. The light will flash.	Bad logic board.	Replace the logic board.
 flashing	The door cannot move. The light will flash.	Bad logic board.	Replace the logic board.



## LIMITED WARRANTY

---

This DorLyft product is warranted to the original purchaser of the DorLyft residential garage door operator against defects in material and workmanship for:

Model	Motor	Parts	Accessories
9367/ 9367M	5 years	1 year	1 year

This product is warranted to the original consumer against defects in material and workmanship for the periods mentioned above. DorLyft will repair, or at its option, replace, any device that it finds requires service under this warranty, and will return the repaired or replaced device to the consumer at Seaside's cost. Devices must be sent to DorLyft for service at owner's expense. This warranty does not apply to damage to the product from negligence, abuse, abnormal usage, misuse, accidents, normal wear or tear or due to failure to follow Seller's instructions, or arising from improper installation, storage or maintenance. DorLyft disclaims any and all warranties in the event that the product is obtained from a source which is not a DorLyft authorized reseller or if the product is not installed by a professional installer. In no event will DorLyft be responsible for incidental, compensatory, punitive, consequential, indirect, special or other damages. The remedies provided by this warranty are exclusive. Some states do not allow the exclusion or limitation of incidental and consequential damages, so the above limitation or exclusion may not apply to you. Any warranties implied by law are limited to the time periods set forth above. Some states do not allow limitations on how long an implied warranty lasts, so the above limitation may not apply to you. This warranty gives you specific legal rights, and you may also have other rights which vary from state to state.

For warranty service and shipping instructions contact DorLyft at the address and email address shown below. In order to be protected by this warranty, save your proof of purchase and send a copy with equipment should repair be required.

**Address:** 9100, Côte-de-Liesse, Lachine QC H8T 1A1

**Tel:** 1-800-663-3130