

The BERNER FLYSTOP is suitable for mounting above the door opening on the outside of the building. Indoor mounting is available, but consideration should be given concerning sound levels. Sound level measured 10' from the unit in free field: 93 dBA.

The BERNER FLYSTOP, Series FS, is supplied with two (2) wall mounting brackets, adjusting rods, washers and nuts. (Control panel and automatic door switch are not included unless ordered separately.)

### INSTALLATION

1. Attach the two (2) wall mounting brackets securely to the wall or suitable structure (bolts and installation hardware provided by others). Refer to detail of mounting brackets and air curtain dimensions for correct spacing and height of brackets.  
NOTE: The brackets should be installed to allow for the air discharge nozzle to be flush with the top of the door opening.
2. With the brackets securely fastened to the wall or suitable structure, attach the air curtain to the brackets. A pivot pin, located on each end of the air curtain plenum, should be installed in one of the two notches of the mounting brackets. Install the pivot pin on the notch nearest the wall for exterior mounted (outdoor) units and the notch away from the wall for interior mounted (indoor) units.
3. Attach the adjusting rod. The rod goes through the adjusting collar with a nut and washer on each side of the collar (do not tighten the nut at this time).
4. Electrical installation should be in accordance with local codes and regulations. Use a flexible connection of sufficient length to permit angle adjustments. Where applicable, wiring diagrams are located in the junction box(es) or in the control panel.
5. If your unit is supplied with an optional weatherhood(s) (one weatherhood per fan) install the weatherhood above each fan. Attach the weatherhood by lining up the pre-drilled holes in the (4) legs on the weatherhood with the threaded nuts on the top casing of the air curtain. Attach with the (4) bolts supplied by Berner.

### ADJUSTMENT FOR PROTECTION AGAINST INSECTS

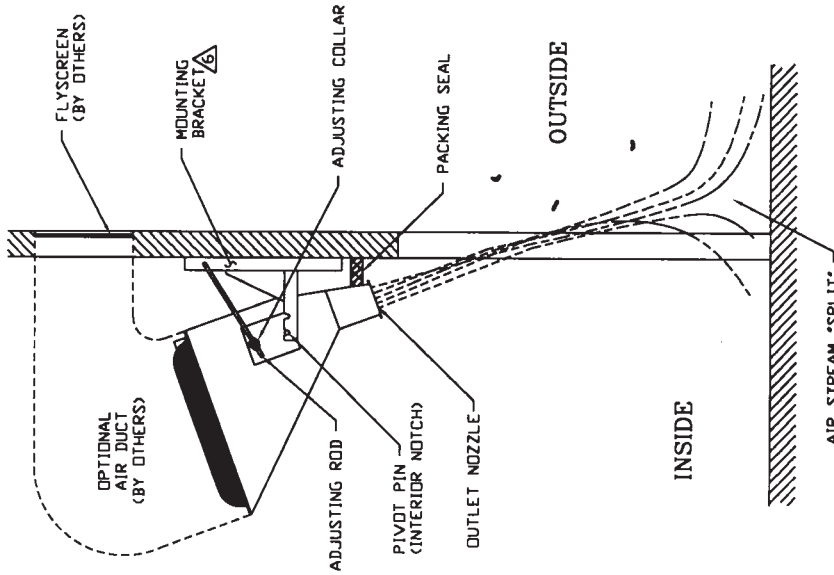
With the unit operating, find the air stream split location (See drawing on reverse side). Hold a handkerchief, by its corners, approximately one foot above the floor. The fluttering of the handkerchief will show the air flow pattern. Adjusting rods are used to vary this angle. To adjust for the correct nozzle angle of the air stream, the split location should be outside of the doorway. An angle between 15-20° to the outside is the most efficient for insect control. The nozzle adjustment applies to both interior and exterior mounting. Anchor the pivot pins on the brackets. Tighten the lock nuts on the pivot pins. When adjustment is complete, install packing between the plenum and the wall (Refer to the Installation Drawing.)

### SERVICE & PREVENTIVE MAINTENANCE

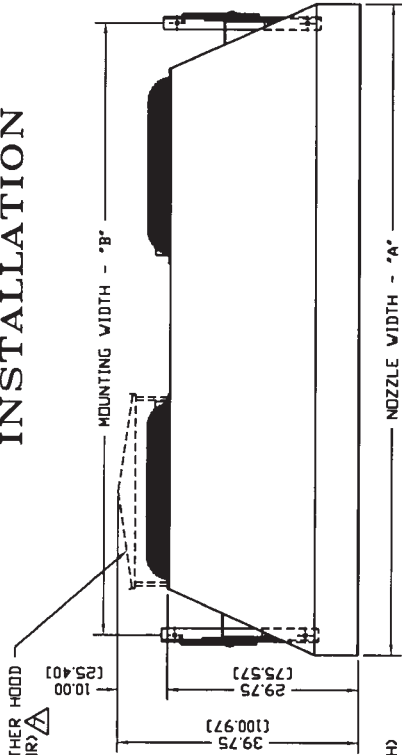
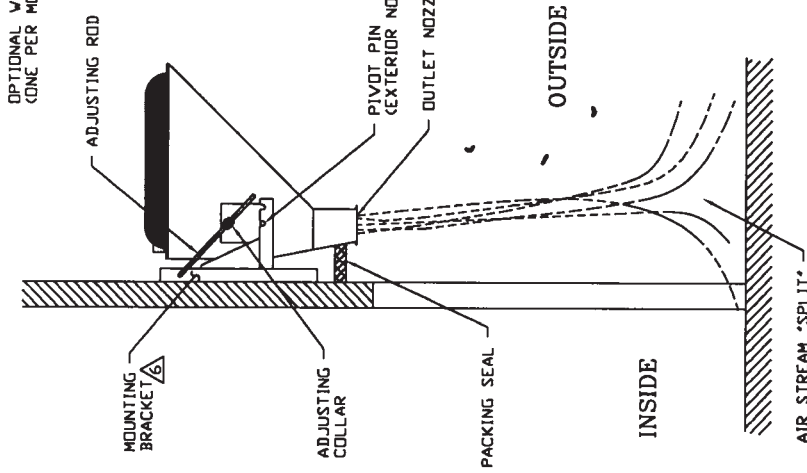
**CAUTION: Electric shock hazard** - Disconnect the power whenever working on the unit. More than one disconnect switch may be required to de-energize the unit for servicing. Berner air curtains require very little servicing. However, all parts are easily accessible for periodic inspection and maintenance. (**WARNING: VIBRATION, NOISE AND EXCESSIVE WEAR ON THE MOTOR BEARINGS ARE CAUSED BY DUST BUILDUP ON THE IMPELLER.**)

1. To clean the interior of the unit:
  - A. Disconnect the power to the unit.
  - B. Remove the fastening screws from the inlet screen.  
NOTE: If a weatherhood is provided, remove the weatherhood prior to removing the inlet screen.
  - C. Vacuum and scrape (if necessary) the impeller and the interior of the unit. The impeller and the motor may be removed if necessary.
2. Motor bearings are packed for a normal service life of 15,000 working hours. If a seasonal service motor is idle for six months, or more, it should be lubricated every year at the beginning of the season.
3. Mechanical fasteners should be checked occasionally, tighten if necessary.

### INTERIOR MOUNTING



### EXTERIOR MOUNTING

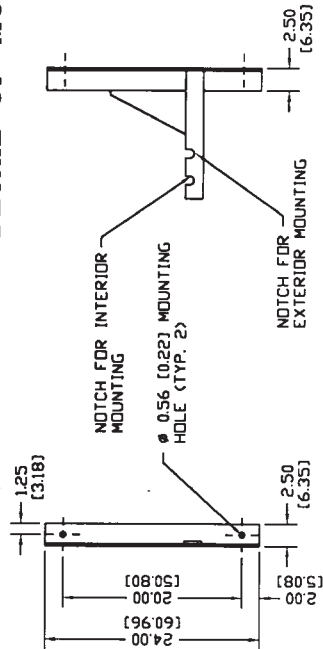


# FS INSTALLATION

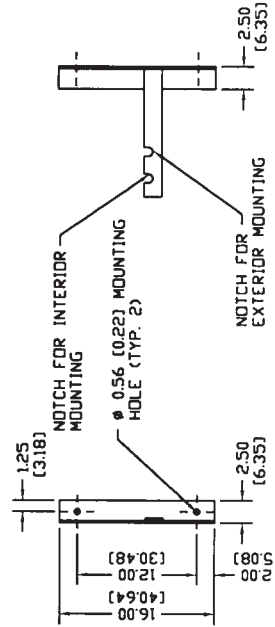
## NOTES:

- 1 AIR CURTAIN MUST BE INSTALLED SO AIR STREAM IS NOT OBSTRUCTED WHEN DEFLECTED 20° TO EITHER SIDE OF C.
- 2 ELECTRICAL CONNECTIONS TO BE FLEXIBLE.
- 3 FIELD VERIFY DIMENSIONS.
- 4 ANCHORS TO SUPPORTING STRUCTURE BY OTHERS.
- 5 ADEQUACY OF SUPPORTING STRUCTURE IS TO BE VERIFIED BY A PROFESSIONAL STRUCTURAL ENGINEER.
- 6 USE LARGE MOUNTING BRACKET FOR ALL UNITS 120" & ABOVE.
- 7 TWO MOTOR FLY STOP AIR CURTAIN SHOWN.
- 8 DIMENSIONS IN INCHES (CENTIMETERS).

## DETAIL OF MOUNTING BRACKETS



BRACKET FOR MULTI-MOTOR AIR CURTAIN



BRACKET FOR SINGLE MOTOR AIR CURTAIN

MODEL	NOZZLE WIDTH 'A'	MOUNTING WIDTH 'B'
FS-1-42	42.00 (106.68)	37.00 (93.98)
FS-1-51	51.00 (129.54)	42.50 (107.95)
FS-1-66	66.00 (167.64)	53.88 (136.84)
FS-1-72	72.00 (182.88)	53.88 (136.84)
FS-2-76	76.00 (193.04)	72.00 (182.88)
FS-2-88	88.00 (223.52)	83.00 (210.82)
FS-2-100	100.00 (254.00)	94.00 (238.76)
FS-2-120	120.00 (304.80)	114.00 (289.56)
FS-3-120	120.00 (304.80)	114.00 (289.56)
FS-3-144	144.00 (365.76)	137.50 (349.25)

PROJECT	LOCATION	ARCHITECT	ENGINEER
DWG. NO.	DATE	BY	REPLACES
FSJ02344	29JUL198	B. Peffer	31MAR94
TITLE: <b>BERNER</b> INSTALLATION OF MODEL FS FLYSTOP SYSTEM			
BERNER INTERNATIONAL CORP. NEW GARDEN CITY, N.Y.			