



The PRO-GJ is designed for use on commercial sectional doors with high or vertical lift track and small rolling doors, shutters and grilles that require more than 15 cycles per hour.

STANDARD FEATURES

- 2 year Warranty
- **Control Circuit (2 options)**
- * **1- (M)** Heavy duty relays (1-phase) or heavy duty reversing contactor with mechanical & electrical interlock (3-phase) incorporating the new UL325 (2010) Interface Module.
 - *C2 factory wiring standard (constant pressure close), B2 wiring can be field set by moving 1 jumper and installing Micanan monitored fail safe photo-eyes (supplied) or (optional) Micanan compatible monitored fail safe electric edge
- 2-** Heavy duty relays (Not available in US or other areas where UL325 (2010) is mandated)
 - *C2 factory wiring standard (constant pressure close), B2 wiring can be field set by moving 1 jumper. Provisions for standard reversing devices.
- 24V class 2 control circuit with 40VA transformer to protect against short circuit
- External radio control terminal strip
- Low friction powder metal limit cam nuts with fully adjustable rotary type limit switch assembly
- Three button open-close-stop control station Nema-1
- 1/2 HP high starting torque, instant reversible motor protected by internal automatic thermal overload device
- Motor removable without affecting limit settings
- Heavy duty worm gear reduction in oil bath gearbox
- #41 roller chain drive & 41B19 operator drive sprocket standard
- Emergency floor level disconnect for manual operation
- Manual override drive device for jammed doors
- Chain keeper
- Left or right hand mounting (must specify at time of order)
- #41 roller chain and sprockets on final drive
- Patented Mechanical Load Sensing feature (optional) will detect a locked or jammed door and stop unit from operation
- Baked on dark grey coat finish
- Shipping weight 55 lbs.

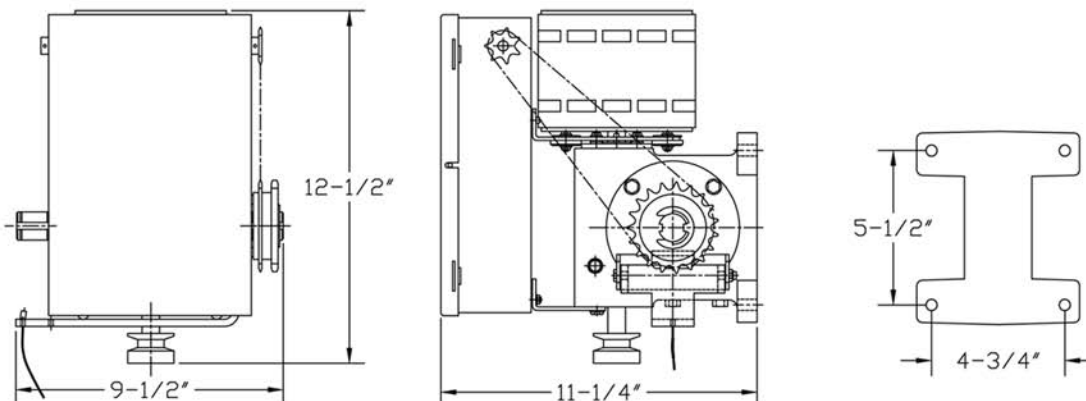


Commercial limited duty worm gear jackshaft operator

When ordering a PRO GJ operator, supply Micanan with the following information

- Door height
- Door Width
- Type of door
- Voltages
- Safety Devices
- Door shaft diameter & door shaft key size
- Mounting (LH or RH, Bracket or Wall mount)
- Options

MECHANICAL DIMENSIONS



FOR MORE INFORMATION, PLEASE VISIT WWW.MICANAN.COM OR CONTACT US AT