

The PRO-GH is designed for use on all rolling doors and grilles and large sectional doors with high or vertical lift track.

STANDARD FEATURES

- 2 year Warranty
- **3 Control Circuit Options Available:**
- * **1- (M)** Heavy duty reversing contactor with mechanical & electrical interlock incorporating the new UL325 (2010) Interface Module.
 - *C2 factory wiring standard (constant pressure close), B2 wiring can be field set by moving 1 jumper and installing Micanan monitored fail safe photo-eyes (supplied) or (optional) Micanan compatible monitored fail safe electric edge
- * **2- (E)** Full Function Smart 10.0 Logic control board featuring on-board receiver with antenna, enhanced program selections to include B2, C2, D1, E2, T & TS and supplied with Micanan monitored fail safe photo-cells or (optional) Micanan monitored fail safe electric edge
 - *D1 factory pre-set mode of operation standard (constant pressure open & close)
- 3-** Heavy duty reversing contactor with mechanical & electrical interlock. (Not available in US or other areas where UL325 (2010) is mandated) C2 factory wiring standard, B2 wiring can be field set by moving 1 jumper. Provisions for standard reversing devices.
- 24V class 2 control circuit with 40VA transformer to protect against short circuit
- External radio control terminal strip
- Low friction powder metal limit cam nuts with fully adjustable rotary type limit switch assembly
- Three button open-close-stop control station Nema-1
- Continuous duty industrial motor with external reset overload protection (1-phase) or external thermal overload relay motor protection (3-phase)
- Motor removable without affecting limit settings
- Heavy duty worm gear reduction in oil bath gearbox
- 1.5 second time delay on all open functions standard on 1.5, 2, 3, & 5HP
- Solenoid brake standard
- #50 roller chain and sprockets on final drive
- Emergency chain hoist with electrical cut-out switch for manual operation
- Chain keeper
- Universal left or right hand mounting
- Baked on dark grey coat finish
- Shipping weight 115 lbs

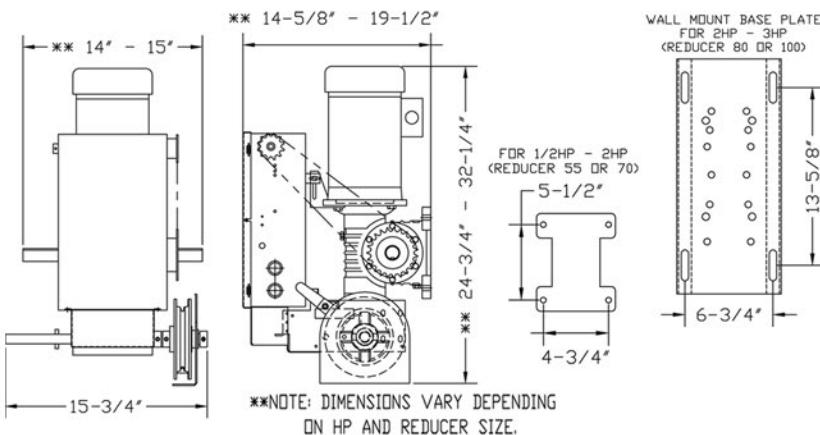


Industrial continuous duty worm gear jackshaft operator with emergency chain hoist

When ordering a PRO-GH operator, supply Micanan with the following information

- Door height
- Door width
- Type of door
- Horsepower
- Voltage/Phase
- Safety devices
- Door shaft diameter & door shaft key size
- Mounting (LH or RH, Bracket or Wall mount)
- Options

MECHANICAL DIMENSIONS



NEW SMART 10.0 LOGIC BOARD



- On-board open, close, stop pushbuttons
- Built-in 372 Mhz radio receiver
- Programmable timer to close
- Programmable mid stop
- Maximum run timer
- 1.5 sec time delay reverse
- Programmable delay on close
- On-board fuse protection
- Plug in board option
- New vision lights

FOR MORE INFORMATION, PLEASE VISIT WWW.MICANAN.COM OR CONTACT US AT

MICANAN HEAD OFFICE: 1380 St-Regis Blvd. Dorval, QC H9P 2T5 Canada | Tel: (514) 822-1116 | Toll-Free: 1-877-888-1116 | Fax: (514) 822-1118 | Toll-Free: 1-877-888-1118

MICANAN PHOENIX: 1236 W. Southern Ave. Suite 104 Tempe, Arizona USA 85282 | Tel: (480) 557-0070 | Toll-Free: 1-888-816-8584 | Fax: (480) 557-8488

MICANAN ATLANTA: 2885 N. Berkeley Lake Rd Suite 7 Duluth, Georgia USA 30096 | Tel: (678) 584-2543 | Toll-Free: 1-800-798-2543 | Fax: (678) 584-2544