

The PRO-EJ is designed for use on commercial/industrial sectional doors with high or vertical lift track and small rolling grilles

Date: \_\_\_\_\_  
 Page: \_\_\_\_ of \_\_\_\_\_  
 Drawing No. \_\_\_\_\_  
 Project: \_\_\_\_\_  
 Architect/Engineer: \_\_\_\_\_  
 Contractor: \_\_\_\_\_  
 Customer: \_\_\_\_\_



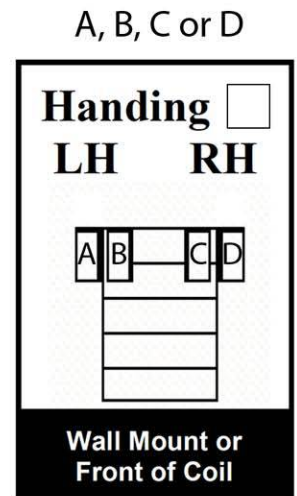
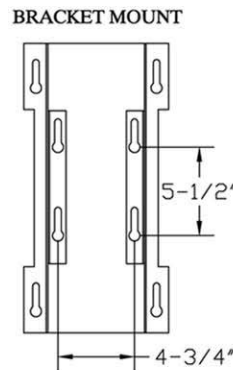
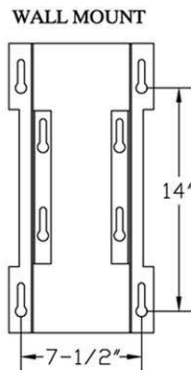
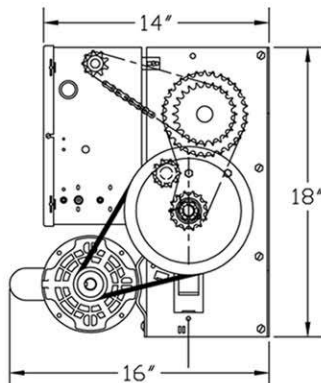
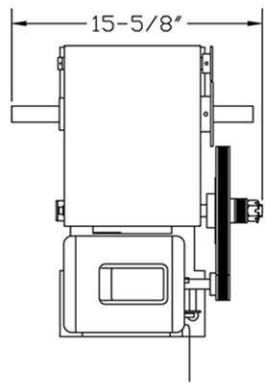
### FULL LOAD AMP RATING CHART

Voltage	1/3HP	1/2HP
115 V - 1 $\phi$ - 60 Hz	7.9	8.5
230 V - 1 $\phi$ - 60 Hz	3.9	4.2
230 V - 1 $\phi$ - 50 Hz	3.1	3.1
208/230 V - 3 $\phi$ - 60 Hz	2.1	2.1
380 V - 3 $\phi$ - 50 Hz	1.1	1.1
460 V - 3 $\phi$ - 60 Hz	1.1	1.1
575 V - 3 $\phi$ - 60 Hz	1.0	1.0

Number of Operators: \_\_\_\_\_  
 Horsepower: \_\_\_\_\_  
 Volts: \_\_\_\_\_  
 Phase: \_\_\_\_\_  
 Hertz: \_\_\_\_\_  
 Type of Door: \_\_\_\_\_  
 Door Width/Height: \_\_\_ W x \_\_\_ H  
 Operator Nema Rating: \_\_\_\_\_  
 OPEN/CLOSE/STOP Control Stations: \_\_\_

Control wiring option: \_\_\_\_\_

- A** Relay Logic w/ interface module (monitored reversing device supplied)
- B** Relay logic (*not available in US or other areas where UL 325 2010 is mandated*)



### Additional Equipment or Options

\_\_\_\_\_

\_\_\_\_\_

\_\_\_\_\_

\_\_\_\_\_

For technical support, please call 1-877-888-1116